

Owner's manual

Evolution

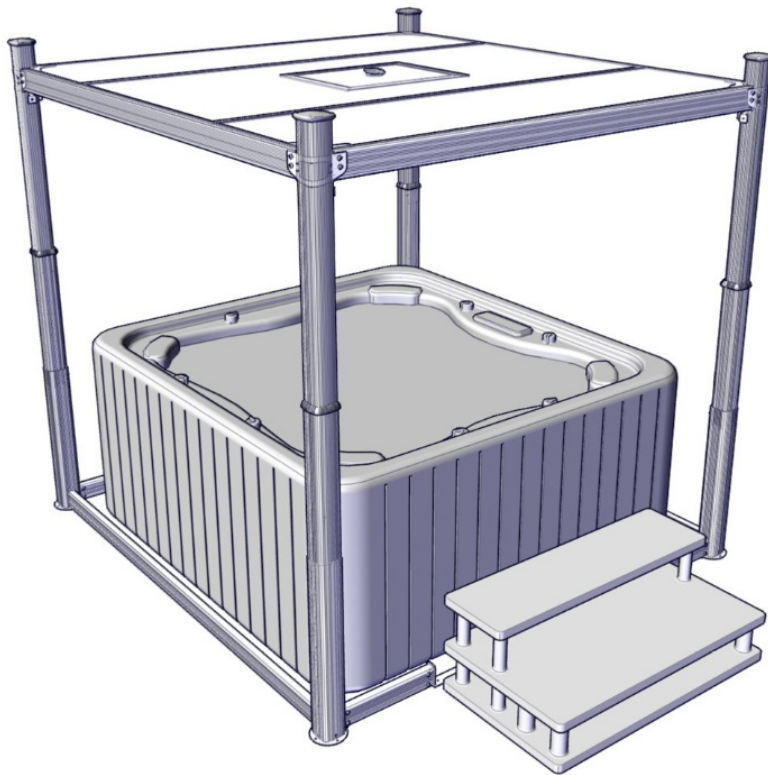
COVANA



COVANA

SPA COVER MANUFACTURER

OWNER'S MANUAL



MANUAL NO. 262329

EVOLUTION COVER
MANUAL NO. 262329
First edition 2026-02-09

REVISION	DESCRIPTION	DATE
0	OWNER'S MANUAL NEW RELEASE	2026-02-09
1	INSTRUCTIONS FOR SNOW REMOVAL	2026-03-24
2	ELECTRICAL DIAGRAMS UPDATE	2026-05-25

CONGRATULATIONS!	8
IMPORTANT INFORMATION	9
SAFETY	9
DRUGS AND ALCOHOL	9
IMPORTANT SAFETY INSTRUCTIONS	10
RISK OF ELECTROCUTION	11
ELECTRICAL WARNING	12
MODIFICATIONS TO THE COVER	12
LABELING	14
PARTS NAME AND QUANTITY	18
INSTALLATION PROCEDURE	20
TOOLS REQUIRED	20
PREPARATION FOR THE INSTALLATION	21
HARDWARE IDENTIFICATION TABLE	23
ASSEMBLY PREPARATION	24
LIFTING MECHANISM INSTALLATION	28
TESTING THE COVER	34
NON-PERMANENT MOUNTING PLATES (OPTIONAL)	36
WIPER INSTALLATION	37
SEAL INSTALLATION	38
ELECTRICAL CONNECTIONS	41
LIMIT SWITCH ADJUSTMENT	42
OPERATE THE COVER	48
RAISING/LOWERING THE COVER WITH THE KEY SWITCH	48
MANUAL OPERATION OF THE COVER	49
USING THE ESCAPE HATCH	50
ELECTRICAL DIAGRAMS	52
WIRING DIAGRAM (NORTH AMERICA) (LIGHTS) – 60 HZ, 120 VAC OPERATOR	53
WIRING DIAGRAM (EUROPE) (LIGHTS) – 50 HZ, 230 VAC OPERATOR	54
MAINTENANCE	56
WASHING THE COVER	56
WINTERIZING	56
POST GREASING	57
CHAIN LUBRICATION	59
PERIODIC MAINTENANCE SCHEDULE	60
TECHNICAL SPECIFICATIONS	62
COVER FRONT ELEVATION PLAN	62
FRAME DIMENSIONS AND FOOT PRINT	63
CONCRETE SLAB LAYOUT OPTION	64
ELECTRICAL SPECIFICATIONS	65
TROUBLESHOOTING	68

SAFETY AND IMPORTANT INSTRUCTIONS

CONGRATULATIONS!

Congratulations for the purchase of your new COVANA cover!

IMPORTANT NOTE



**PLEASE REGISTER
YOUR COVER AT THE
TIME OF PURCHASE
TO ENSURE A PROPER
FOLLOW-UP PROCESS.**

COVANA.COM/EN/WARRANTY-REGISTRATION

NOTE



**FOR SERVICE
AND ADVICE,
DO NOT HESITATE
TO CALL YOUR
LOCAL AUTHORIZED
COVANA RETAILER.**

IMPORTANT INFORMATION

DANGER, WARNING, CAUTION and NOTE are used throughout this manual to emphasize important points when necessary:

DANGER

Directs your attention to unsafe practices which could result in serious personal injury or death.

WARNING

Directs your attention to unsafe practices which could result in serious personal injury or severe damage to the cover.

CAUTION

Directs your attention to unsafe practices where personal injury is not likely but damage to cover components could occur.

NOTE

Indicates supplementary information essential to the proper operation of the cover, proper installation or proper maintenance.

IMPORTANT NOTE



READ THIS MANUAL BEFORE USING THE COVER.

NOTE

Illustrations in this manual are used for reference only and may differ from the actual cover; however, key components are represented as accurately as possible.

Keep this manual in a safe location for future reference.

Before reproducing or copying this manual, in whole or in part, written consent must be obtained from Covana. Covana reserves the right to make changes without notice and without incurring any obligation.

SAFETY

The cover was designed, tested and certified to be installed over a residential spa under important installation instructions issued by Covana. Any other type of usage will void the warranty and product certification.



CAUTION



THE COVER WAS NOT DESIGNED TO SUPPORT ADDITIONAL LOAD OR PEOPLE WALKING OR STANDING ON IT. FAILURE TO FOLLOW THIS INSTRUCTION WILL VOID THE WARRANTY AND ITS CERTIFICATION.

The power safety cover meets ASTM F1346-23 requirements.

DRUGS AND ALCOHOL



DANGER

THE USE OF DRUGS OR ALCOHOL WHILE OPERATING THE COVER IS STRICTLY PROHIBITED. THE IMPAIRMENT OF JUDGMENT, VISION OR HEARING MIGHT AFFECT THE SAFETY OF OTHER PEOPLE OR RESULT IN DEATH.



IMPORTANT SAFETY INSTRUCTIONS

WARNING

KEEP THESE INSTRUCTIONS IN A SAFE LOCATION.
REVIEW THESE INSTRUCTIONS REGULARLY.

NOTE

READ AND FOLLOW ALL INSTRUCTIONS.

WARNING

CALIFORNIA PROPOSITION 65

This product contains chemicals known to the State of California to cause cancer and birth defects or other reproductive harm.

DANGER

- Do not allow children under the age of 18 to use this product unless they are supervised at all times.
- Failure to follow all the instructions may result in injury or even death.
- Do not climb, walk, sit or stand on the cover at any time.
- Never operate the cover until all people and objects are out of the spa.
- Do not operate the cover in extreme wind. See TECHNICAL SPECIFICATIONS section for the wind limitations.

WARNING

- Be sure to keep the key switch and key out of the reach of children under the age of 18.
- Do not put any type of fabric or plastic sheet, such as a tarpaulin or canvas, on the cover. This can overheat the cover and result in the deformation or delamination of the cover panels.
- Inspect the cover periodically. It should raise smoothly and evenly. Contact your Covana retailer if any unusual mechanical sound is heard during cover operations.

DO'S

- Remove the key from the key switch after operating the cover. Users must bring the key in the spa with them to prevent the unauthorized operation of the cover. Store the key in a secure location when not in use.
- Check the cover frequently for any sign of deterioration.
- Have any repairs, adjustments or mechanical work performed by a certified Covana retailer as soon as possible when you notice any malfunction.
- Completely lower the cover when it is not in use or if the spa is not being monitored.
- The cover should only be operated by an adult.
- This product can be operated by an 8-year-old or older child and persons with reduced physical, sensory or mental capabilities or lack of experience and knowledge **ONLY** if they are supervised by an adult or have received instructions regarding safe use of the cover.
- Children must not play with the product. Cleaning and user maintenance must not be performed by children without supervision.

DON'TS

- Do not operate the unit before all mechanical and electrical connections are completely installed.
- Do not step on or stack anything on the operator cover.
- Do not use an extension cord to supply electrical power to the cover. The extension cord may not be properly grounded, and the connection is an electric shock hazard. An extension cord may cause a voltage drop, which may cause the motor to overheat.

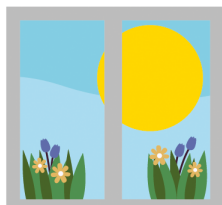
DON'T



DO NOT KEEP THE COVER OPEN FOR MORE THAN 12 CONSECUTIVE HOURS. FAILURE TO FOLLOW THIS INSTRUCTION MAY CAUSE PERMANENT DEFORMATIONS TO THE COVER.



CAUTION



DO NOT CONVERGE OR DIRECTLY REFLECT SUNLIGHT ON THE COVER. THIS COULD CAUSE PERMANENT DAMAGE (E.G.: REFLECTION FROM A WINDOW).



CAUTION

- Use only accessories and tools approved by Covana.
- Do not rotate or slide the cover using its edges. This may damage the edge components.
- When unpacking after delivery or disassembling parts, always keep them in a safe location on a clean and level surface as to not damage them.
- This product mainly contains steel, plastic, fiberglass, foam, copper and die-cast aluminum. Please recycle properly according to the local rules.
- The gearbox contains oil and other materials. Please recycle properly according to the local rules.
- The jack stroke is limited by two limit switches. These switches are pre-adjusted at the factory. Refer to the LIMIT SWITCH ADJUSTMENT section before making any adjustments. An improper adjustment can result in damage to the operator and/or to the cover.

RISK OF ELECTROCUTION



WARNING



ALL ELECTRICAL CONNECTIONS MUST BE DONE BY A CERTIFIED ELECTRICIAN OTHERWISE THE CERTIFICATION AND WARRANTY WILL BE VOID.



CAUTION

Any modifications to the electrical components will void the warranty.



DANGER

Failure to comply with these instructions may result in death by electrocution or serious injury.



DANGER

- Disconnect or turn off and secure all power supplies before starting any intervention on the cover.
- A circuit breaker needs to be incorporated into the fixed wiring at the time of installation. This circuit breaker must be accessible to the user or service technician to turn the power off for future maintenance or repair.
- Only a certified electrical contractor may perform any electrical maintenance on the cover. The wiring must comply with all applicable local electrical regulations.
- The operator must be connected to a circuit that is protected by a dedicated ground fault circuit interrupter (GFCI) that complies with all applicable local electrical codes and regulations.
- Install the cover in such a way that drainage directs water away from the electrical and the mechanical components at the base.
- Do not connect any auxiliary components to the electrical system of the cover unless they have been approved by Covana.
- Replace electrical components with original components provided or approved by Covana. Ask your retailer for replacement parts.
- To reduce the risk of electric shock, replace a damaged electrical cord immediately. Failure to do so may result in death or serious personal injury due to electrocution.
- Do not bury the electrical wires into the ground unless using a direct-burial underground cable. Not respecting this precaution may result in death, or serious personal injury due to electrocution.

ELECTRICAL WARNING

WARNING

- To reduce the risk of electric shock, the green-colored terminal (or marked “g,” “gr,” “ground,” “grounding” or with a $\frac{1}{\equiv}$ symbol) located inside the supply terminal box or compartment must be connected to the grounding connection provided in the electric supply service panel with a continuous copper wire equivalent in size to the circuit conductors supplying the equipment.
- Two lugs marked “bonding lugs” are provided on the external surface or on the inside of the supply terminal box or compartment. To reduce the risk of electric shock, connect the local common bonding grid in the area of the cover. Use terminals with an insulated or bare copper conductor not smaller than No. 6 AWG (4.11 mm / 13.30 mm²).
- All field-installed metal components, such as rails, ladders, drains or other similar hardware, within 10 ft (3 m) of the spa must be bonded to the equipment grounding bus with copper conductors not smaller than No. 6 AWG (4.11 mm / 13.30 mm²) (NEC art. 680).

MODIFICATIONS TO THE COVER


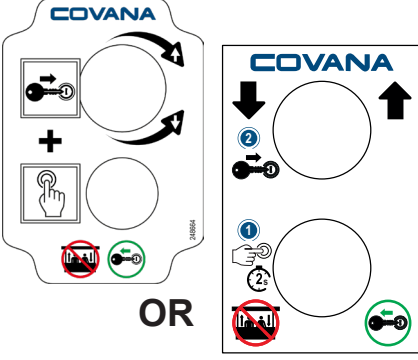

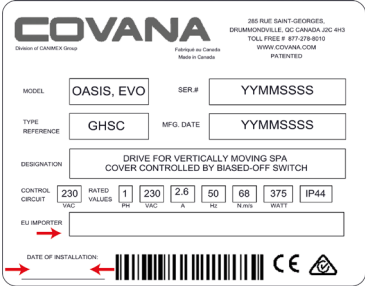


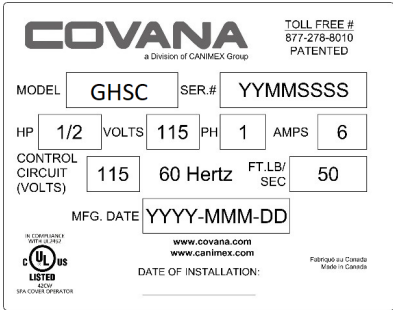
WARNING

Any modifications to the cover, such as mechanical, electrical or aesthetic, may cause the cover to operate in an unwanted or dangerous way. Furthermore, these modifications are not permitted and might void the warranty and certification.

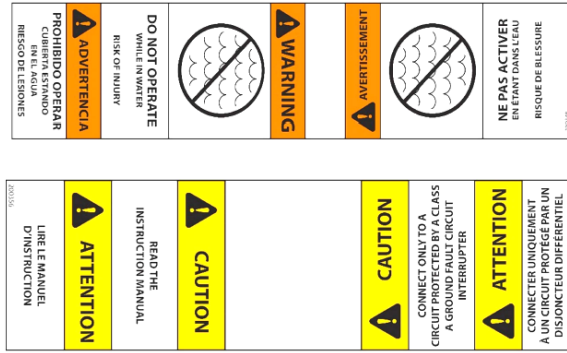
**SAVE THESE
INSTRUCTIONS**

LABELING

LABELING

<p style="text-align: center;">Top</p> <div style="text-align: center;">  <p>TOP DESSUS</p> </div> <p style="text-align: center;">↻ On the I-Beams and in the escape hatch opening</p>	<p style="text-align: center;">Key switch operation diagram</p> <div style="text-align: center;">  <p>OR</p> </div> <p style="text-align: center;">↻ On the key switch</p>	<p style="text-align: center;">No step</p> <div style="text-align: center;">  </div> <p style="text-align: center;">↻ On the top of the operator cover</p>
<p style="text-align: center;">Technical specifications with serial number (European models)</p> <div style="border: 1px solid black; padding: 5px;">  </div> <p style="text-align: center;">↻ On the operator cover</p>	<p style="text-align: center;">Proposition 65 (North American models)</p> <div style="border: 1px solid black; padding: 10px; text-align: center;"> <p>CALIFORNIA PROPOSITION</p> <p>⚠ 65 WARNING ⚠</p> <p>WARNING: This product contains chemicals known to the State of California to cause cancer and birth defects or other reproductive harm.</p> <p>For more information: www.P65Warnings.ca.gov</p> </div> <p style="text-align: center;">↻ On the side of the operator cover</p>	<p style="text-align: center;">Risk of electrocution</p> <div style="text-align: center;">  </div> <p style="text-align: center;">↻ On the operator</p>
<p style="text-align: center;">Technical specifications with serial number (North American models)</p> <div style="border: 1px solid black; padding: 5px;">  </div> <p style="text-align: center;">↻ On the operator cover</p>	<p style="text-align: center;">Maintenance information</p> <p style="text-align: center;">Visit www.covana.com for recommended maintenance procedures and videos This label not to be removed except by the consumer</p> <p style="text-align: center;">Visitez www.covana.com pour des conseils et des vidéos sur les procédures d'entretien Seul l'utilisateur peut retirer cet autocollant</p> <div style="text-align: right;">  </div> <p style="text-align: center;">↻ On one side of the outer shell</p>	<p style="text-align: center;">Do not step on the cover</p> <div style="text-align: center;"> <p>DO NOT STEP ON COVER</p> <p>NE PAS MONTER SUR LE COUVERCLE</p> </div> <p style="text-align: center;">↻ On the end of the C-channels</p>

Risk of electrocution



➡ On the power cable

Avoid drowning



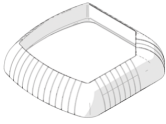

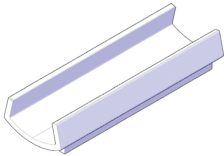
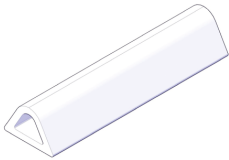

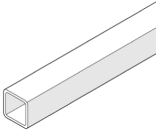
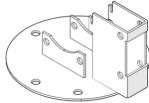
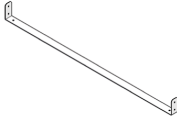

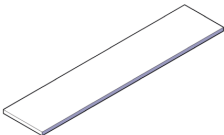
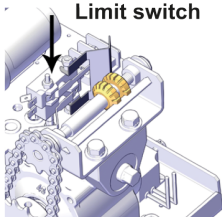
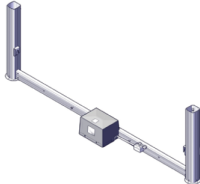

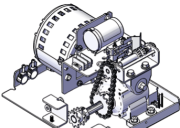

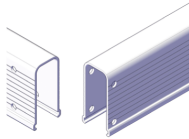
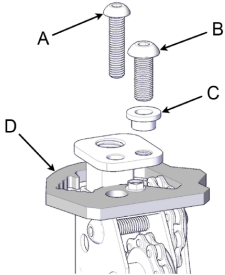
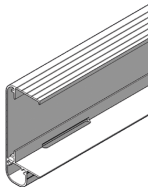
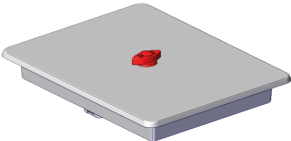
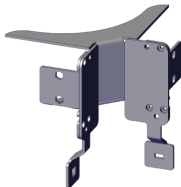
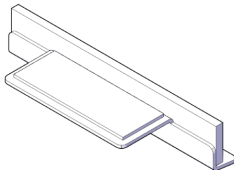
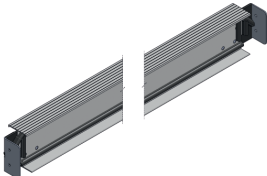


➡ One label is affixed on each exterior side of the cover

! WARNING



REMOVING ANY LABEL ON THE COVER WILL VOID THE PRODUCT CERTIFICATION. ALL LABELS SHOULD ALWAYS REMAIN VISIBLE. IT IS THE OWNER'S RESPONSIBILITY TO ENSURE THAT THE LABELS ARE ALWAYS VISIBLE AND NEVER REMOVED.

PARTS NAME AND QUANTITY

<p>All-weather seal</p>  <p>4x</p>	<p>Seal</p>  <p>1x</p>	<p>Seal clip</p>  <p>26x</p>	<p>Seal connector</p>  <p>1x</p>
<p>Outer corner bracket</p>  <p>4x</p>	<p>Drive shaft</p>  <p>2x</p>	<p>Foot plate</p>  <p>4x</p>	<p>U-frame link</p>  <p>1x</p>
<p>Key switch</p>  <p>1x</p>	<p>Foam spacer</p>  <p>8x</p>	<p>Limit switch</p>  <p>2x</p>	<p>Motor frame</p>  <p>1x</p>
<p>Jack</p>  <p>2x motor 2x non-motor</p>	<p>Operator</p>  <p>1x</p>	<p>Sleeve</p>  <p>4x</p>	<p>U-frame</p>  <p>2x long 2x short</p>
 <p>A: Jack lock screw B: Top plate screw C: Bushing D: Alignment bracket (plastic)</p>	<p>C-channel</p> 	<p>Escape hatch</p>  <p>1x</p>	<p>Inner corner bracket</p>  <p>4x</p>
<p>Wiper</p> 	<p>I-beam</p> 	<p>Short I-to-C connection plate</p>  <p>I-to-C spacer</p> 	

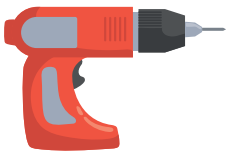





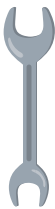
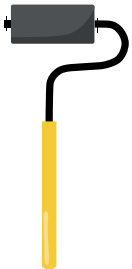









INSTALLATION AND PREPARATION

INSTALLATION PROCEDURE

⚠ CAUTION

The cover must be installed by a certified Covana installer (two people are required for certain steps). Having the cover installed by someone who is not certified will void the warranty.

TOOLS REQUIRED

<p>Power drill</p> 	<p>Rubber mallet</p> 	<p>Scissors</p> 	<p>25' (7.62 m) Measuring tape</p> 
<p>24" (61 cm) level</p> 	<p>SAE or metric socket kit</p> 	<p>1/2" Wrench (12.7 mm)</p> 	<p>J-Roller with rubber roller</p> 
<p>Phillips screwdriver</p>  <p>✘</p>	<p>Robertson screwdriver</p>  <p>◻</p>	<p>Flat blade screwdriver</p>  <p>◐</p>	<p>No. 2 x 6" Robertson drive bit</p>  <p>7/32" (5.5 mm) Allen key</p> 
<p>Step ladder</p> 	<p>Ratchet straps</p> 	<p>Screws to secure key switch Key switch holes: \varnothing 0.195"</p>  <p>2 x OR 4x</p>	<p>Concrete anchor bolts OR lag bolts for wood Bracket holes: \varnothing 0.37"</p>  <p>OR</p> <p>8x</p>

PREPARATION FOR THE INSTALLATION

To ensure safe use of the cover, it must be installed on a properly prepared surface (Figure 2).

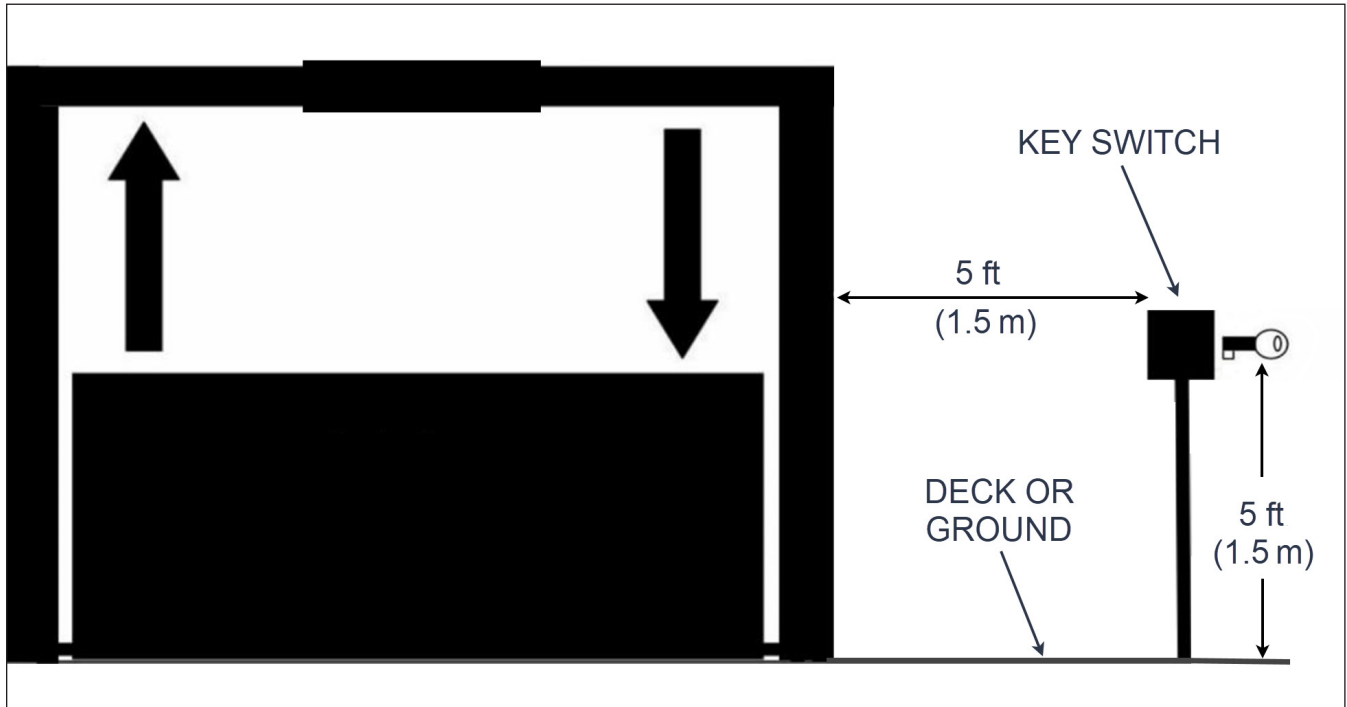


FIGURE 1: POSITION OF THE KEY SWITCH

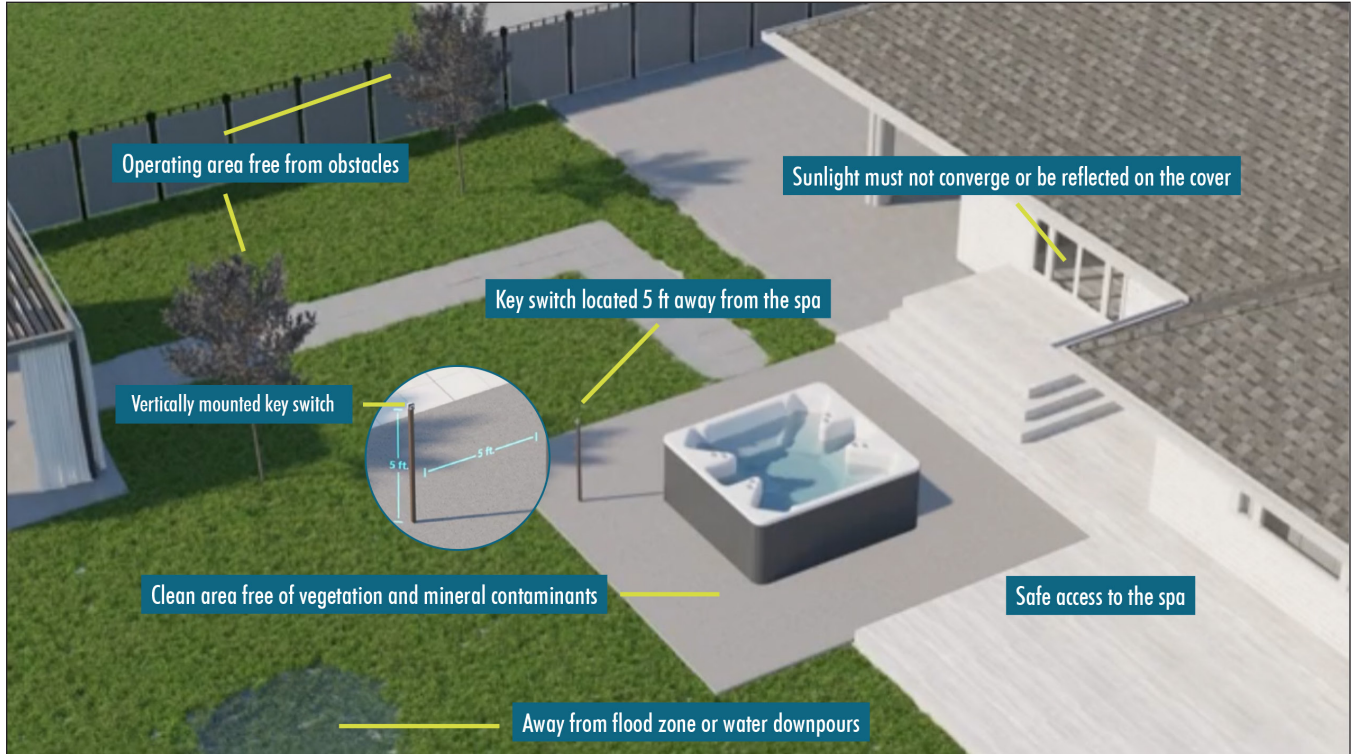



FIGURE 2: PREPARATION FOR THE INSTALLATION

FOUNDATION PREPARATION

The cover requires a clean, flat and level surface such as an engineered wood deck or a concrete slab.

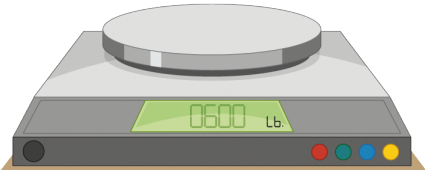
The four jacks must be properly anchored to the foundation. If you cannot meet this requirement, install a set of non-permanent mounting plates.


For an existing foundation, refer to the diagram in the TECHNICAL SPECIFICATIONS section.



WARNING


THE FOUNDATION MUST BE ABLE TO SUPPORT AT LEAST 600 LB. (272 KG)





WARNING

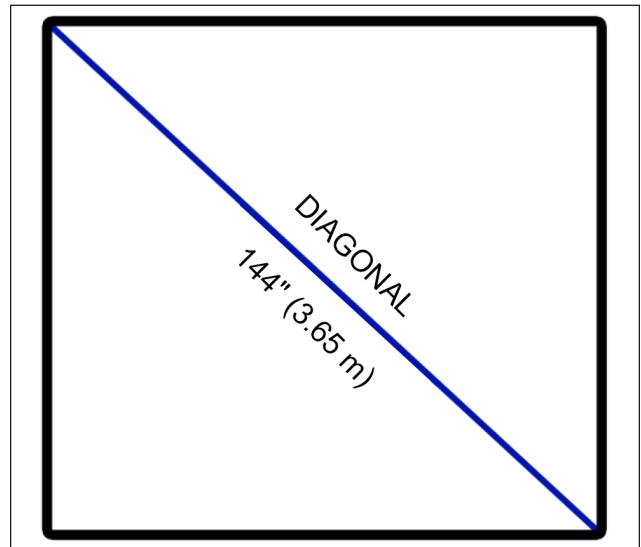
- The foundation must be leveled with a maximum tolerance of 1" (25 mm) over a diagonal section (Figure 3). Refer to the minimum base size of the foot print in the TECHNICAL SPECIFICATIONS section.
- The annual variation in levelness for the same diagonal section cannot exceed 1/4" (6 mm).








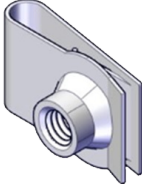

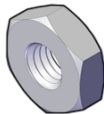




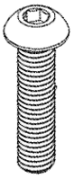
CAUTION

- Damage caused by inadequate foundation construction is not covered by the warranty. It is the responsibility of the owner to provide a proper foundation.
- Failure to follow these guidelines might cause permanent damage or improper functioning of the cover. Such damage might not be covered by the warranty.

FIGURE 3: FOUNDATION DIAGONAL



HARDWARE IDENTIFICATION TABLE

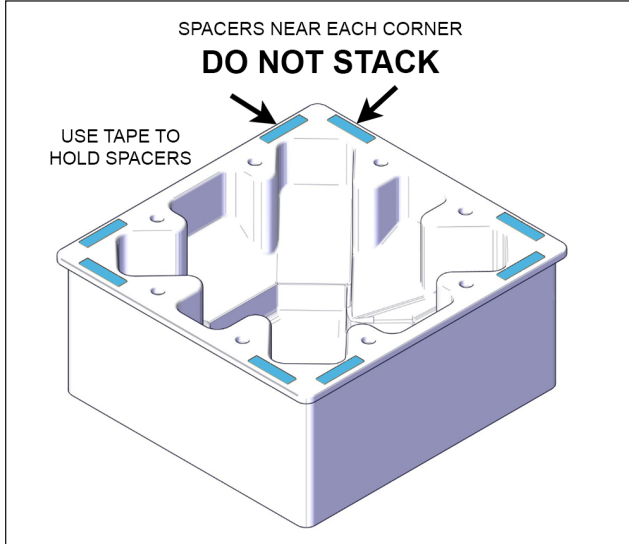
<p>A</p> <p>16x No. 8 x 1/2"</p>  <p>255679</p>	<p>B</p> <p>18x M6 x 20 mm</p>  <p>255676</p>	<p>C</p> <p>4x 1/4-20 x 3/4"</p>  <p>202013 Slate 202014 Mocha</p>
<p>D</p> <p>16x 5/16-18 x 2"</p>  <p>202000 Slate 202001 Mocha</p>	<p>E</p> <p>4x 1/4-20 x 2 1/4"</p>  <p>188801</p>	<p>F</p> <p>2x M6</p>  <p>202159</p> <p>G</p> <p>8x 1/4-20 16x 5/16-18</p>  <p>213128 (1/4) 202002 Slate (5/16) 202003 Mocha (5/16)</p> <p>8x No. 10-32</p>  <p>200425</p>
<p>H</p> <p>8x 5/8" 16x 1/4" painted 32x 5/16" nylon</p>  <p>255674 (1/4) 198684 (5/16) 240801 (5/8)</p>	<p>I</p> <p>2x 1/4"</p>  <p>224035</p>	<p>J</p> <p>2x 8-32 x 3/8"</p>  <p>200368</p>
<p>K</p> <p>24x No. 8 x 3/4"</p>  <p>202011 Slate 202012 Mocha</p>	<p>L</p> <p>8x No. 10-32 x 5/8"</p>  <p>240803</p>	<p>HARDWARE IDENTIFIED IN IMAGES THROUGHOUT INSTALLATION REFERS TO THIS PAGE</p> <p>NOTE: Extra parts are included in case some break or are lost during installation</p>

ASSEMBLY PREPARATION

NOTE

The following figures represent the assembly of an 8' model. Panel size may vary.

FIGURE 4: INSTALL FOAM SPACERS



CAUTION



PLACE SPACERS ON THE FLAT TOP SURFACE OF THE SPA.
NO PROTRUDING HEADRESTS

I-BEAM CONNECTION PLATE INSTALLATION

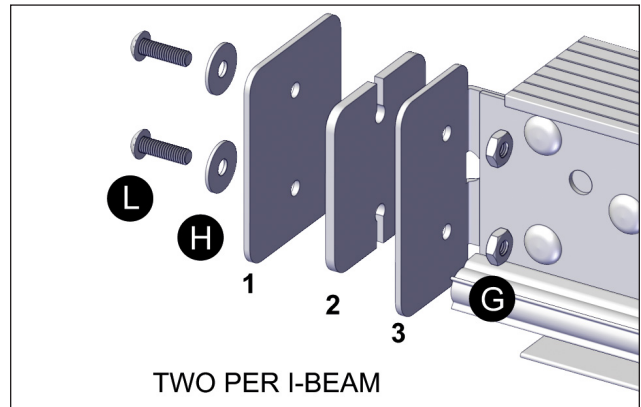
FIGURE 5: MAKE SURE THE LABEL TOP/DESSUS IN THE I-BEAM IS FACING UPWARDS



CAUTION

- Two I to C connection plates must be installed per I-beam.
- Ensure these bolts and nuts are not overly tight so they don't bend the I to C bracket and the I to C short connection plate.

FIGURE 6: ASSEMBLE BOTH I-BEAM SHORT CONNECTION PLATES AS SHOWN BELOW. TIGHTEN THE SCREWS AND NUTS



G	NO. 10-32 NUT
H	NO. 10 FLAT WASHER
L	NO. 10-32 x 5/8" SCREW
1	I TO C SHORT CONNECTION PLATE
2	I TO C SPACER
3	BENT PART OF I TO C BRACKET

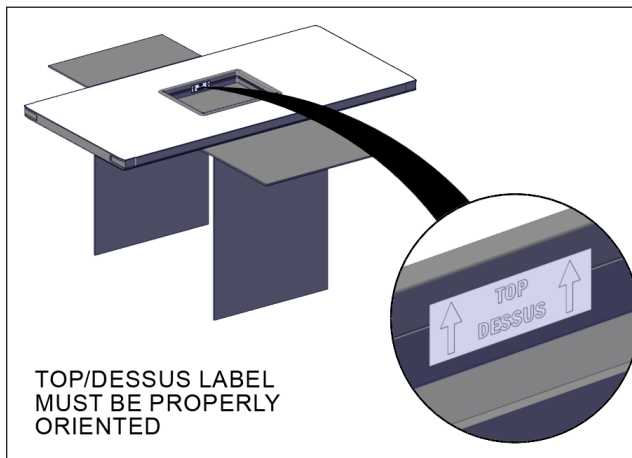
COVER PANEL ASSEMBLY

NOTE



USE A TABLE AS A BASE TO BUILD THE TOP SECTION OF THE COVER, AND LATER TRANSFER IT TO THE SPA. IF THERE IS LIMITED SPACE, ASSEMBLE THE COVER DIRECTLY ON THE SPA.

FIGURE 7: PLACE THE ESCAPE HATCH PANEL IN THE MIDDLE OF THE MOUNTING TABLE



TOP/DESSUS LABEL MUST BE PROPERLY ORIENTED

FIGURE 8: CHECK IF THE ESCAPE HATCH RELEASE MECHANISM WORKS

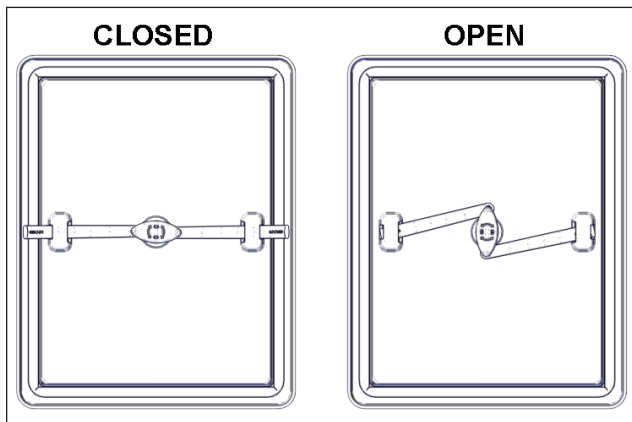
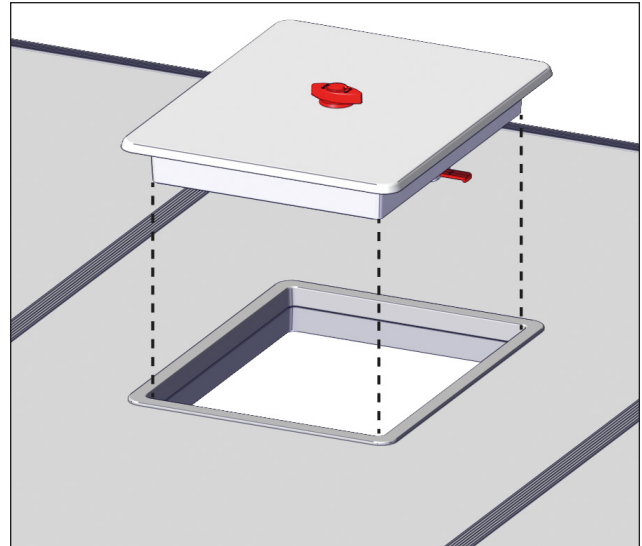


FIGURE 9: RETRACT THE ARMS TO INSTALL THE ESCAPE HATCH IN THE CENTER PANEL



⚠ WARNING

- Failure to install the escape hatch properly may impede the performance of the cover, such as vapor steam leakage, water infiltration and unwanted access to the spa.
- All security risks such as drowning, injury or undesired entry due to an open cover without an escape hatch installed are not approved by Covana and product certification will be void.

FIGURE 10: THE COVER IS RECTANGULAR; INSTALL THE MOTOR FRAME ASSEMBLY ON THE SHORT SIDE OF THE COVER

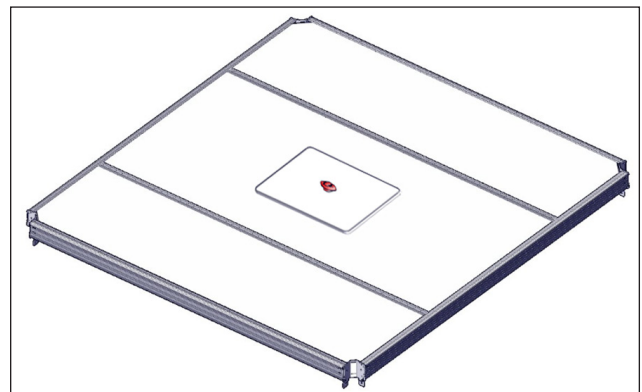
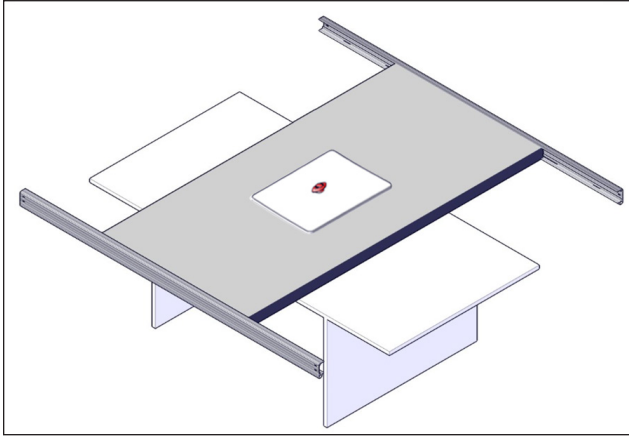


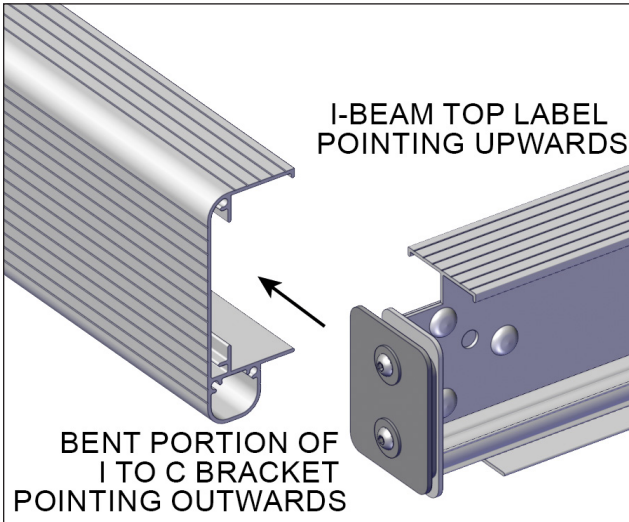
FIGURE 11: INSTALL THE LONGER C-CHANNELS ON THE CENTER PANEL



WARNING

WHEN ASSEMBLING THE C-CHANNEL OR I-BEAM ON THE FOAM PANEL, BE CAREFUL NOT TO DELAMINATE THE FIBERGLASS

FIGURE 12: SLIDE ONE I-BEAM WITH SHORT I TO C CONNECTION PLATES IN THE C-CHANNELS ON BOTH SIDES OF THE MIDDLE PANEL



CAUTION

- Make sure the I-beam has cleared the bottom and top sections.
- While inserting the I-beam in the C-channel, make sure it is always square with the C-channel.
- Make sure parts fit snugly with foam panels.

FIGURE 13: I-BEAM FINAL POSITIONS

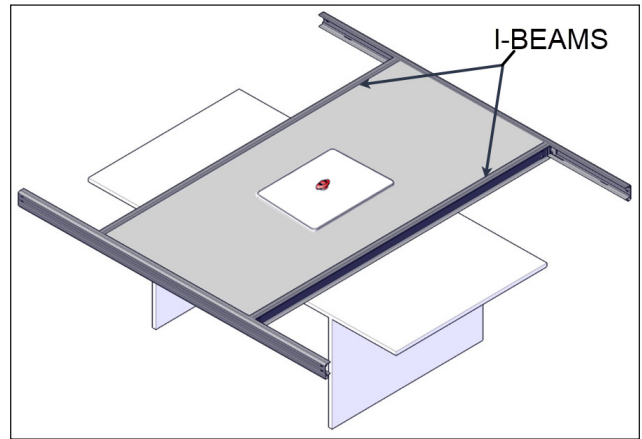
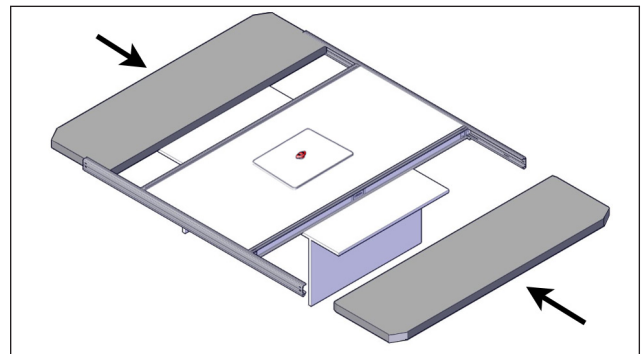


FIGURE 14: SLIDE THE END PANELS ON BOTH ENDS OF THE COVER



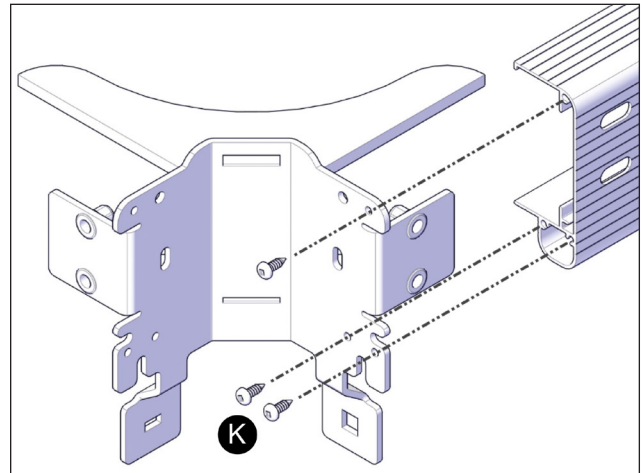
NOTE

The tapered ends of the panel should be positioned outwards, and the groove oriented downwards.

CAUTION


Ensure that the panels are pushed as far as possible by hand and are completely inserted in the I-beam.

FIGURE 15: INSERT THE INNER CORNER BRACKETS IN BOTH ENDS OF THE REMAINING C-CHANNELS.



K NO. 8 x 3/4" SELF-DRILLING SCREW

CAUTION



DO NOT OVER TIGHTEN THE SCREWS AS THEY MIGHT BREAK.

FIGURE 16: SLIDE A CORNER BRACKETS/C-CHANNEL ASSEMBLY ON EACH END OF THE COVER (ENGAGE THE TOP FLANGE BEFORE THE BOTTOM ONE)

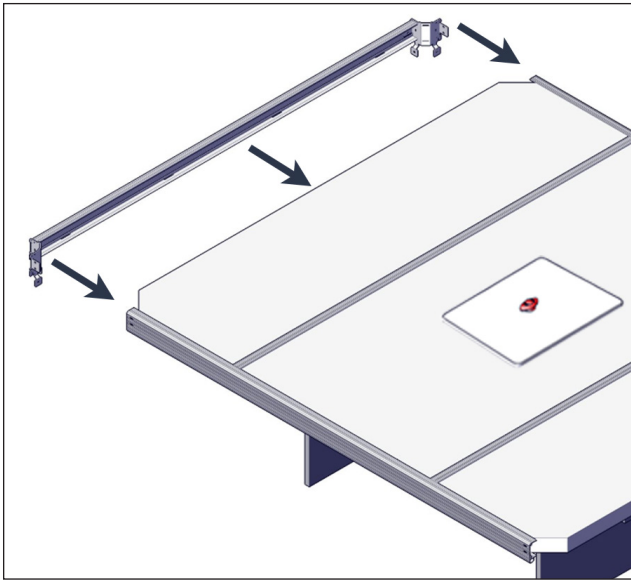
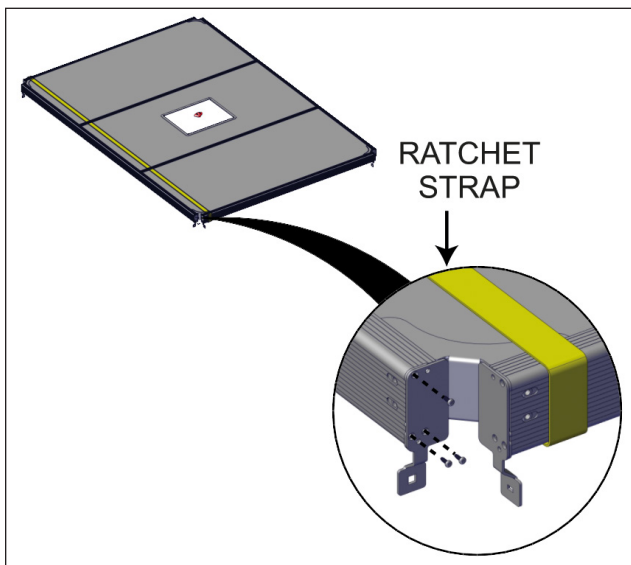



FIGURE 17: USE A 50 FT. (15 M) RATCHET STRAP ON EACH SIDE TO TIGHTEN THE PANELS IN PLACE

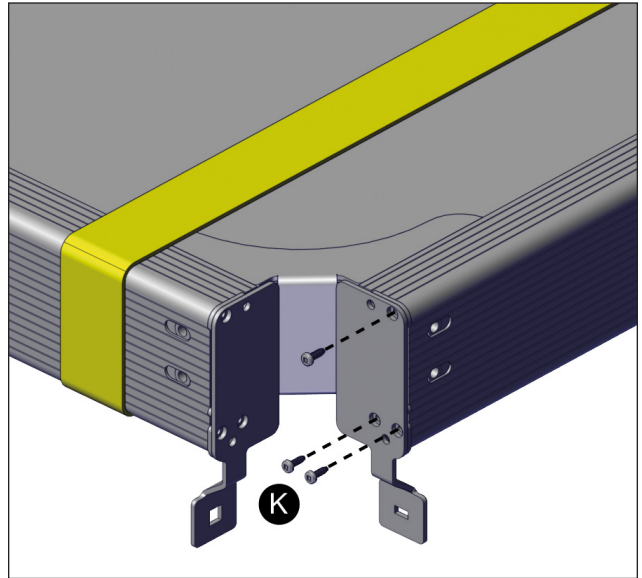


CAUTION



USE CARDBOARD UNDER THE RATCHET OF THE STRAPS AS THE RATCHET COULD DAMAGE THE FIBERGLASS PANEL AND THE BEAMS.

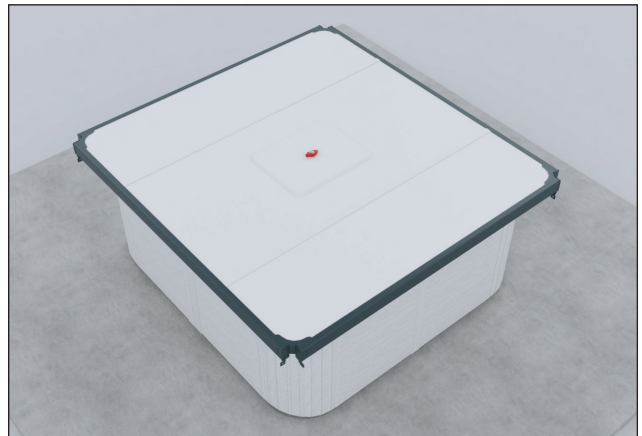
FIGURE 18: ON EACH CORNER, INSTALL THE SCREWS ON THE INSIDE HOLES OF THE SIDE C-CHANNEL



K NO. 8 x 3/4" SELF-DRILLING SCREW


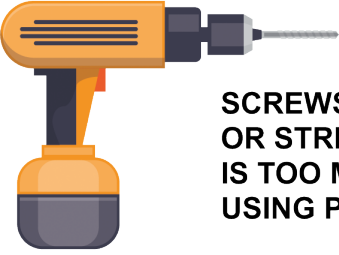
- Remove both ratchet straps.

FIGURE 19: CAREFULLY PLACE THE PANELS ON THE SPA. ALIGN THE COVER AS BEST AS POSSIBLE




LIFTING MECHANISM INSTALLATION

WARNING

SCREWS MAY BREAK OR STRIP IF THE TORQUE IS TOO MUCH WHEN USING POWER TOOLS.

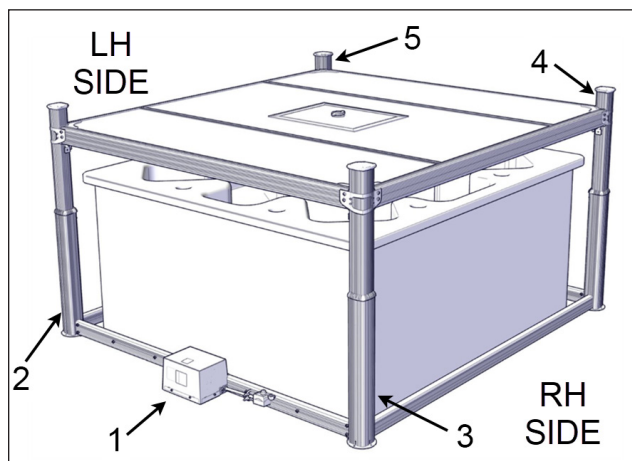
WARNING




DO NOT REMOVE THE ALIGNMENT BRACKET ON THE TOP OF THE JACK (PLASTIC PART).

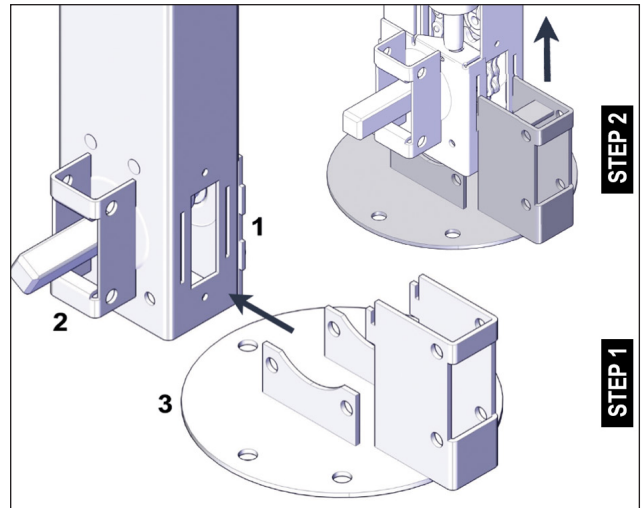
IMPORTANT NOTE
 The next steps are side-specific. They are for the non-motor left-hand side foot assembly.

FIGURE 20: INSTALL THE MOTOR FRAME ON THE SHORT SIDE OF THE COVER (USUALLY TO THE OPPOSITE SIDE OF THE SPA ENTRANCE)



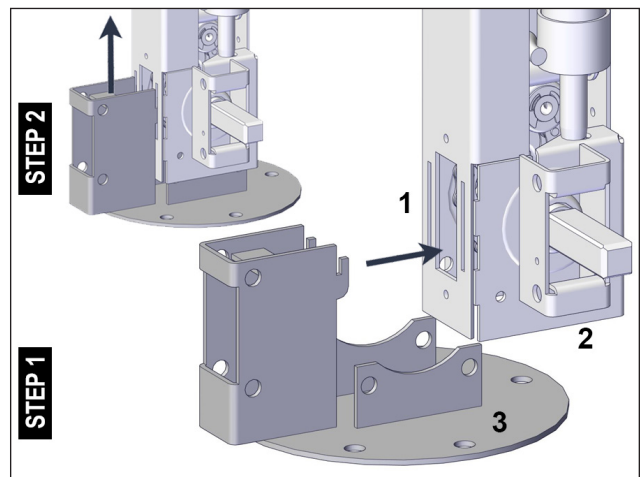
1	OPERATOR	2	MOTOR LEFT SIDE JACK
3	MOTOR SIDE RIGHT JACK		
4	NON-MOTOR RIGHT-HAND SIDE JACK		
5	NON-MOTOR LEFT-HAND SIDE JACK		

FIGURE 21: INSTALL A FOOT BRACKET TO THE NON-MOTOR LEFT-HAND SIDE JACK



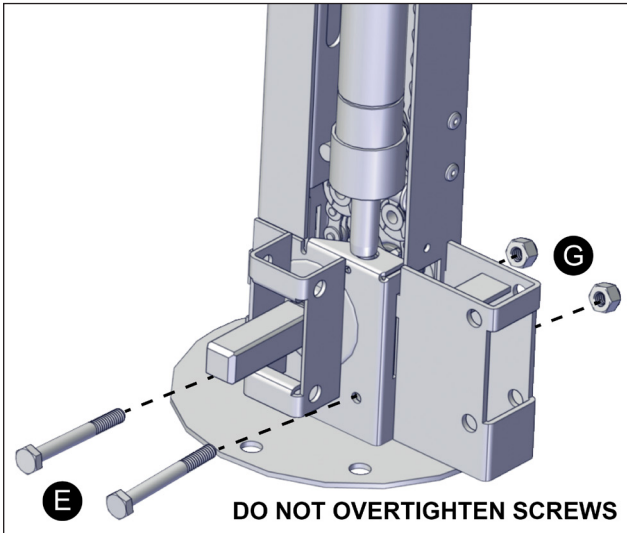
1	NON-MOTOR LEFT-HAND SIDE JACK
2	RIGHT-HAND SIDE OF U-FRAME
3	FOOT BRACKET

FIGURE 22: INSTALL A FOOT BRACKET TO THE NON-MOTOR RIGHT-HAND SIDE JACK



1	NON-MOTOR RIGHT-HAND SIDE JACK
2	RIGHT-HAND SIDE OF U-FRAME
3	FOOT BRACKET

FIGURE 23: INSTALL SCREWS AND NUTS ON LEFT-HAND AND RIGHT-HAND NON-MOTOR SIDE JACKS

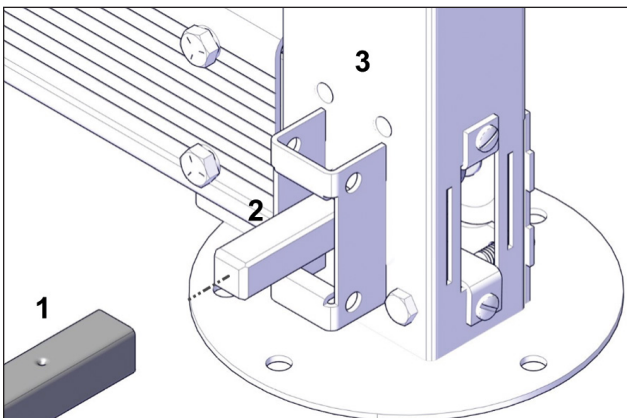


E	1/4-20 x 2 1/4" HEXAGONAL HEAD SCREWS
G	1/4-20 NYLON-INSERT LOCK NUTS

⚠ CAUTION
Lay the posts down before proceeding with the next step.

- Place the non-motor left-hand side jack in the remaining corner of the cover; the square shaft facing the motor frame, and the U-frame bracket facing inward.

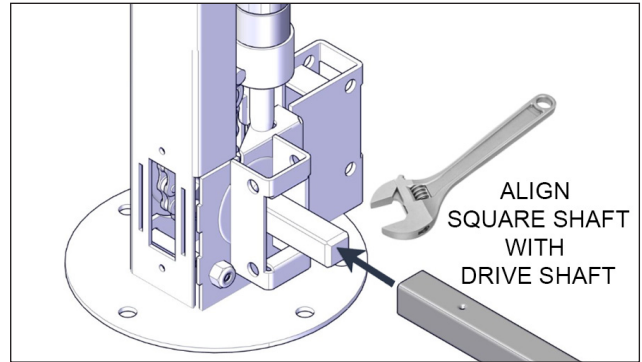
FIGURE 24: SLIDE DRIVE SHAFT OVER SQUARE SHAFT



1	DRIVE SHAFT
2	SQUARE SHAFT
3	MOTOR LEFT-HAND SIDE JACK

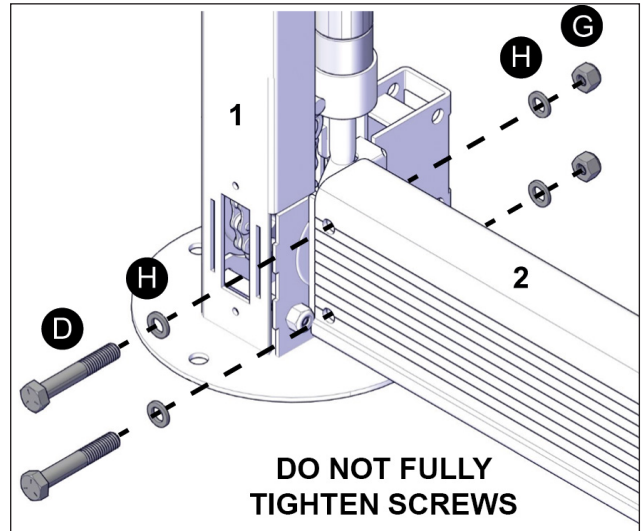
- Hold the non-motor left-hand side jack upright and in line with the left drive shaft.

FIGURE 25: SLIDE DRIVE SHAFT OVER SQUARE SHAFT



⚠ WARNING
Using the jack without the drive shaft properly connected may cause injury.

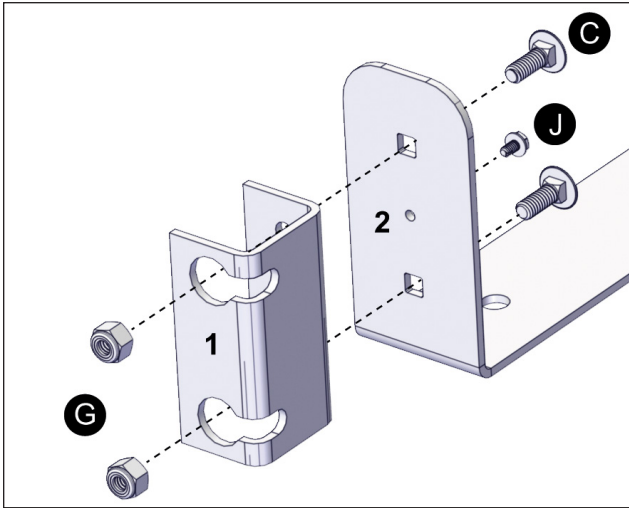
FIGURE 26: INSTALL LONG U-FRAME



D	5/16-18 x 2" HEX HEAD SCREWS
G	5/16-18 NYLON INSERT LOCK NUTS
H	5/16" NYLON WASHERS
1	NON-MOTOR SIDE JACK
2	LONG U-FRAME

- Repeat previous steps on the opposite side.

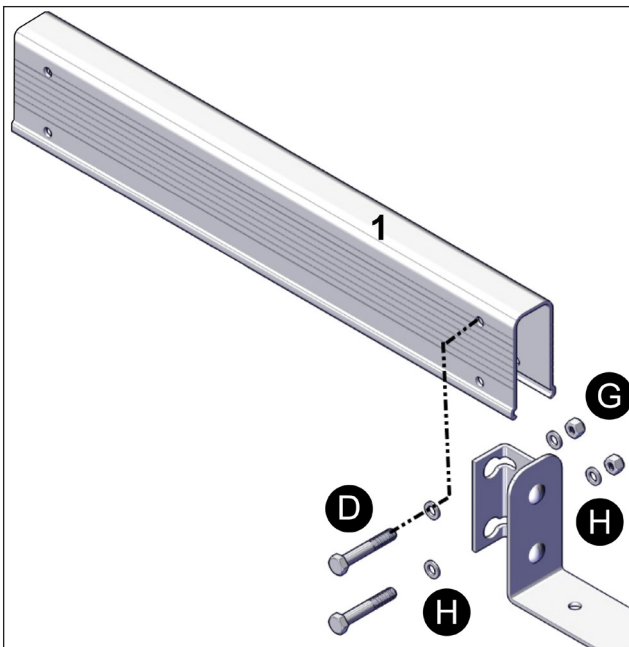
FIGURE 27: FASTEN ONE METAL COUPLER ON EACH END OF SPA ENTRANCE U-FRAME LINK



C	1/4-20 x 3/4" CARRIAGE BOLT
G	5/16-18 NYLON INSERT LOCK NUTS
J	8-32 x 3/8" HEX SLOTTED THREAD-CUTTING SCREW
1	UNPAINTED METAL COUPLER
2	SPA ENTRANCE U-FRAME LINK

- Fasten a short U-frame to each end of the spa entrance U-frame link (Figure 27).

FIGURE 28: FASTEN SHORT U-FRAMES

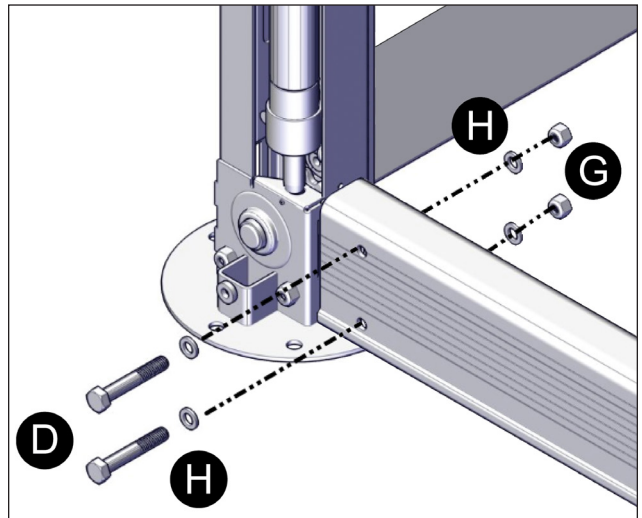


D	5/16-18 x 2" HEX HEAD SCREWS
G	5/16-18 NYLON INSERT LOCK NUTS
H	5/16" NYLON WASHERS
1	SHORT U-FRAME

FIGURE 29: SLIDE ASSEMBLY BETWEEN FRONT POSTS



FIGURE 30: FASTEN ASSEMBLY TO FRONT POSTS



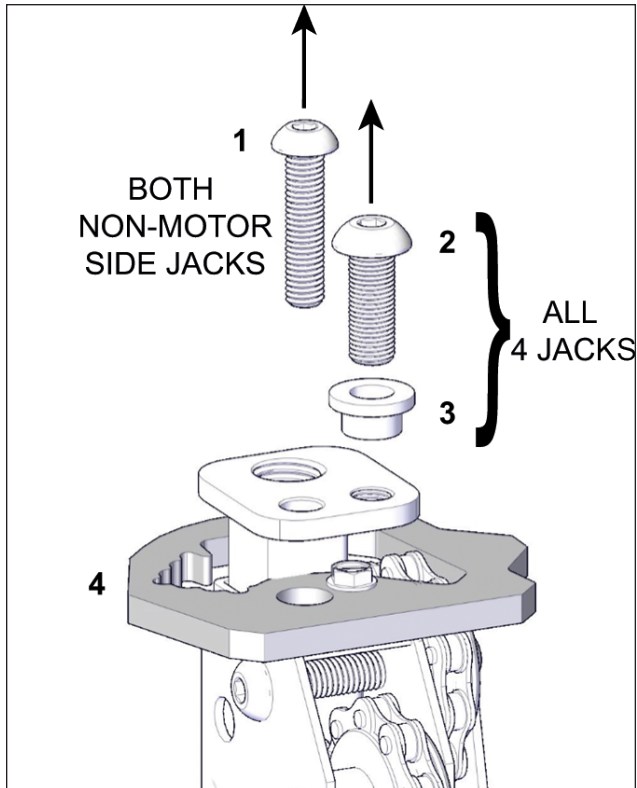
D	5/16-18 x 2" HEX HEAD SCREWS
G	5/16-18 NYLON INSERT LOCK NUTS
H	5/16" NYLON WASHERS

- Tighten all U-frame screws (make sure the drive shafts didn't fall off. If so, review the previous steps).

⚠ DANGER

Failure to verify the proper installation of the drive shafts could result in the non-motor-side jacks extending on their own.

FIGURE 31: REMOVE JACK LOCK SCREW (1), SOCKET SCREW (2) AND BUSHING (3)

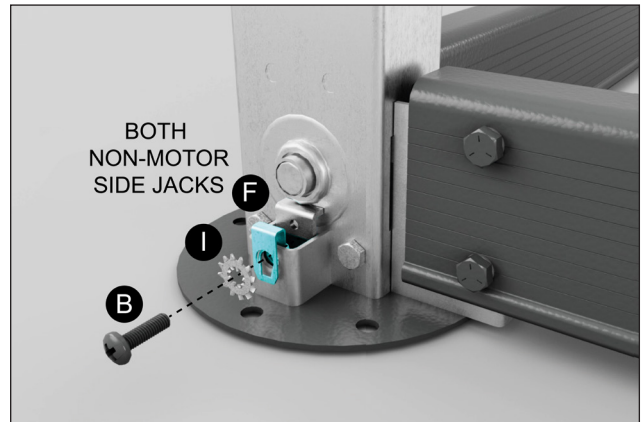


1	M8 x 50 mm JACK LOCK SCREW
2	3/8" x 1" SOCKET HD SCREW
3	BUSHING
4	ALIGNMENT BRACKET (PLASTIC)

CAUTION

FAILURE TO REMOVE THE LOCKING SCREWS WILL DAMAGE THE LIFTING MECHANISM WHEN OPERATING.

FIGURE 32: INSTALL CLIP-ON BARREL NUT



B	M6 x 20 mm SCREW (do NOT fully screw)
F	CLIP-ON BARREL NUT
I	1/4" INT./EXT. TOOTH LOCKWASHER

FIGURE 33: SLIDE SLEEVES OVER FOUR JACKS

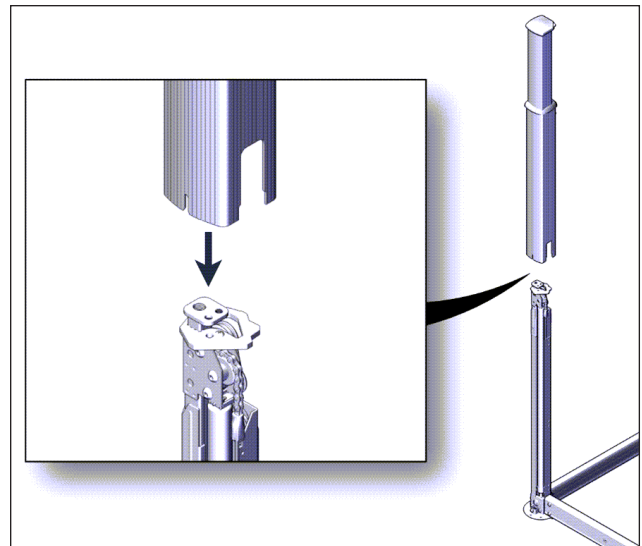
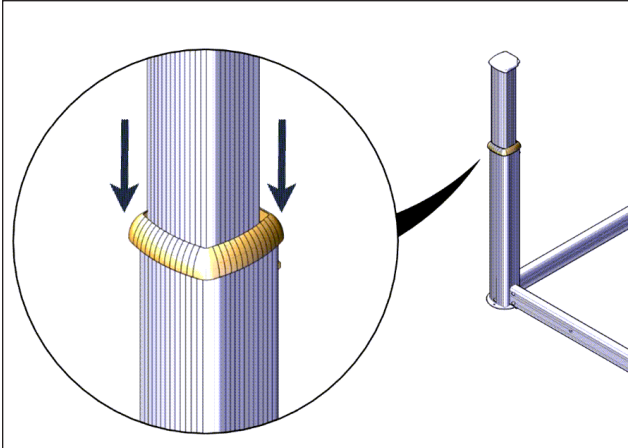


FIGURE 34: TIGHTEN SCREW ON EACH SLEEVE

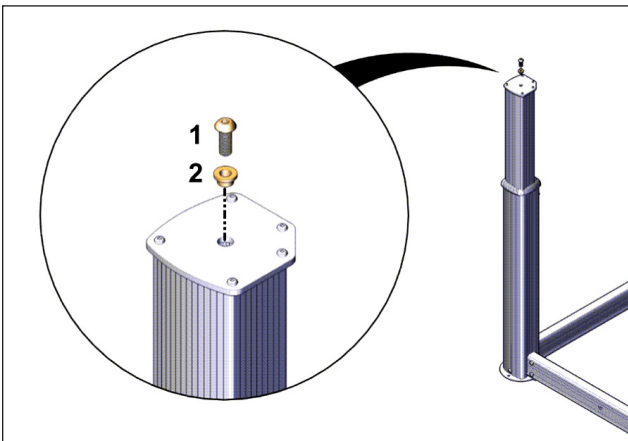


FIGURE 35: SLIDE SLEEVE SEAL DOWN ON EACH OUTER SLEEVE



⚠ WARNING
 Failing to properly position this seal may cause serious damage to the post mechanism.

FIGURE 36: INSTALL THE SCREW AND BUSHING



- | | |
|---|---------------------------|
| 1 | 3/8" x 1" SOCKET HD SCREW |
| 2 | BUSHING |

FIGURE 37: CENTER THE COVER

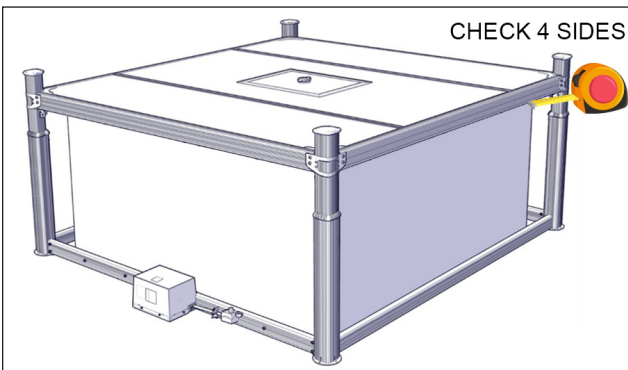


FIGURE 38: CHECK IF POSTS ARE LEVEL

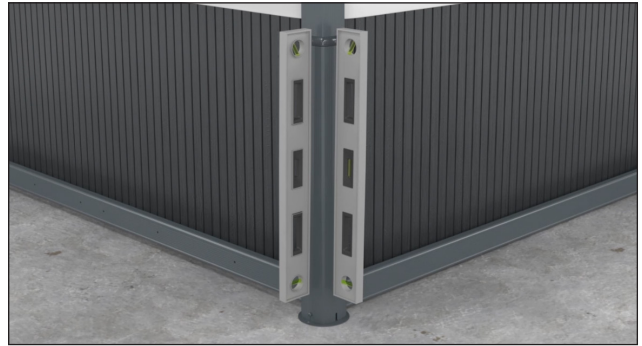
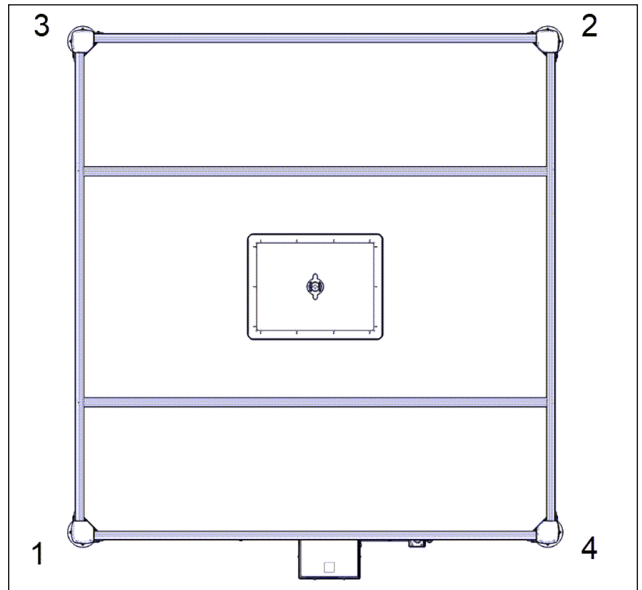
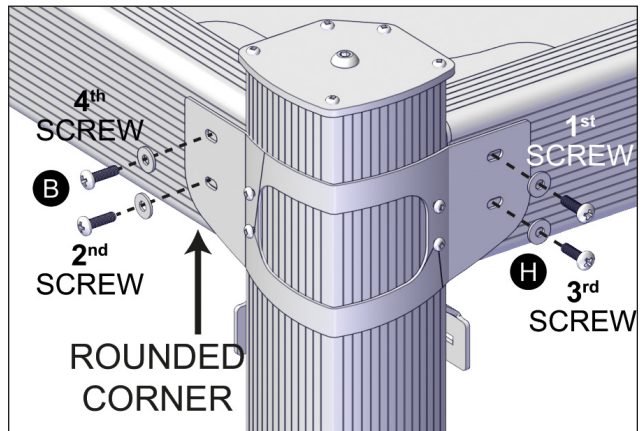


FIGURE 39: INSTALL OUTER CORNER BRACKETS FOLLOWING THIS SEQUENCE




⚠ WARNING
 Make sure the sleeve is correctly pressed against the C-channels before installing the screws.


FIGURE 40: INSTALL CORNER BRACKET SCREWS FOLLOWING THIS PATTERN



- | | |
|---|----------------------|
| B | M6 x 20 mm SCREWS |
| H | 1/4" PAINTED WASHERS |

 **CAUTION**

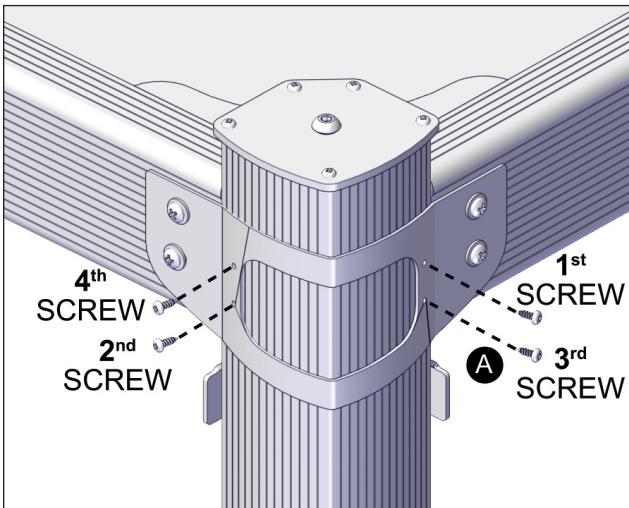
CHECK IF THE POSTS ARE LEVEL BEFORE DRIVING IN THE SCREWS; IT IS VERY DIFFICULT TO REPOSITION THE SLEEVES ONCE SCREWED.



NOTE

When fastening in the screws, push the post towards the cover for a better fit of the corner bracket.

FIGURE 41: INSTALL CORNER BRACKET SCREWS FOLLOWING THIS PATTERN



A No. 8 x 1/2" SELF-TAPPING SCREWS

FIGURE 42: CHECK THE INSTALLATION OF THE BRACKETS BY TRYING TO LIFT THE SLEEVES

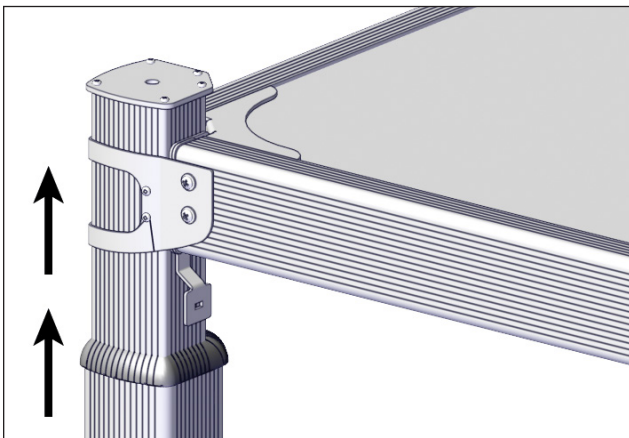
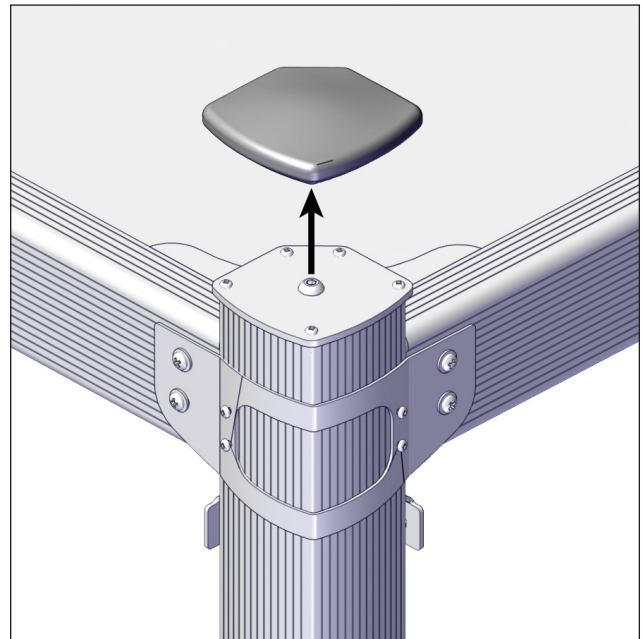


FIGURE 43: INSTALL RUBBER CAP ON EACH POST



TESTING THE COVER

- Plug in the cover.

FIGURE 44: NO OBJECT ALLOWED ABOVE COVER (SEE LIMIT SWITCH ADJUSTMENT SECTION)

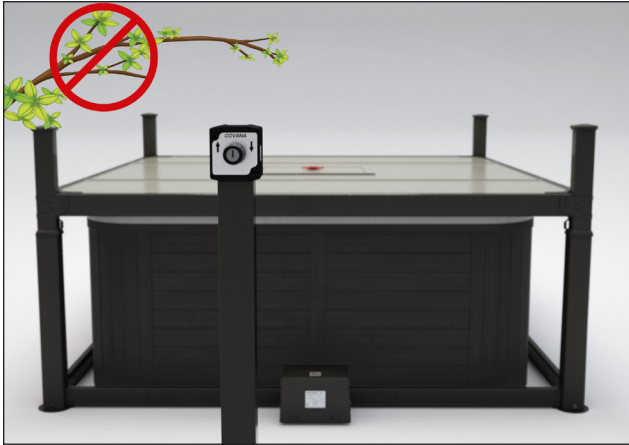
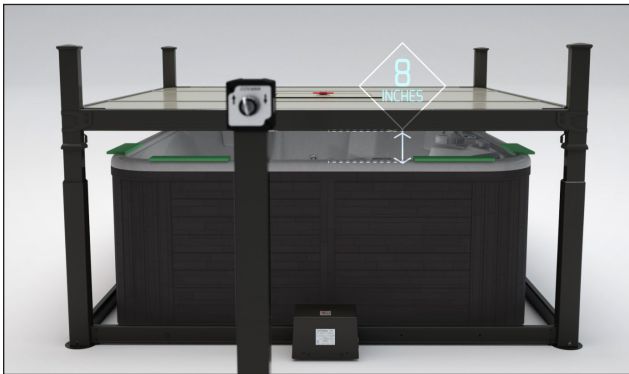


FIGURE 45: RAISE 8" — MAKE SURE COVER LIFTS EVENLY



- Check the installation of the brackets by trying to lift each sleeve. Review **LIFTING MECHANISM INSTALLATION** section for any broken screws or to retighten screws if the sleeve keeps moving (Figure 45).

FIGURE 46: CHECK BRACKET INSTALLATION

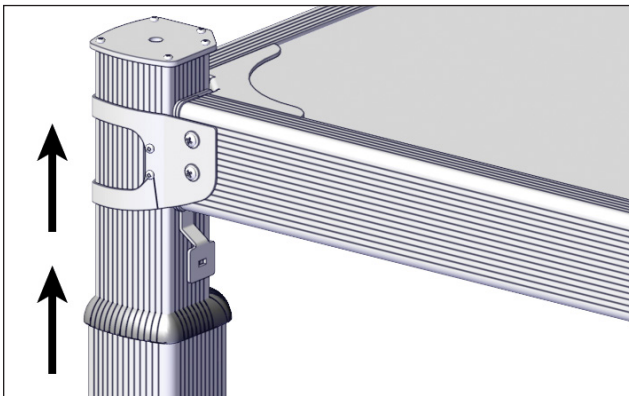
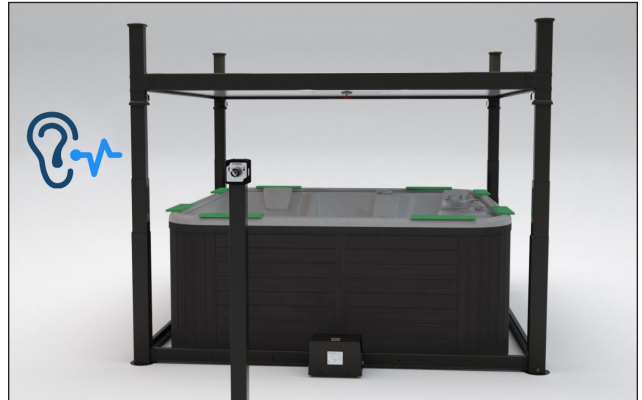


FIGURE 48: LOWER COVER — MUST TOUCH FOAM SPACERS



FIGURE 49: RAISE COVER — LISTEN FOR UNUSUAL SOUNDS



- Lower the cover and make sure it touches the foam spacers. If not, adjust the corner brackets.

FIGURE 50: LOWER COVER — MUST STOP AT THE POINT OF CONTACT WITH THE FOAM SPACERS ON THE SPA

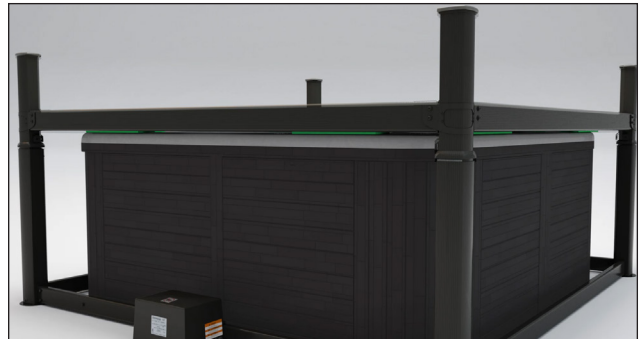
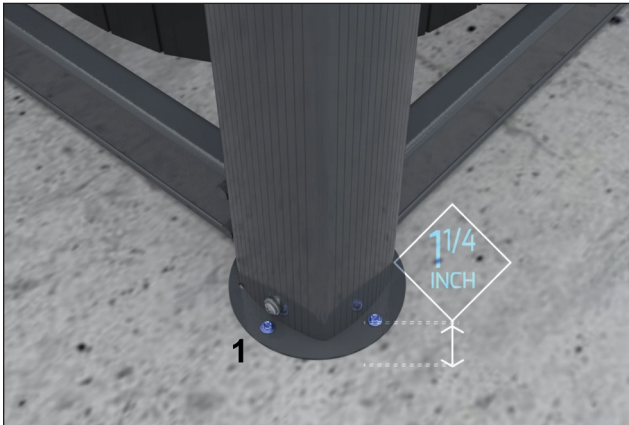


FIGURE 47: CHECK IF POSTS ARE STILL LEVEL



- Anchor jacks to the foundation (in at least one hole in the foot) and **insert at least 1¼" deep**.

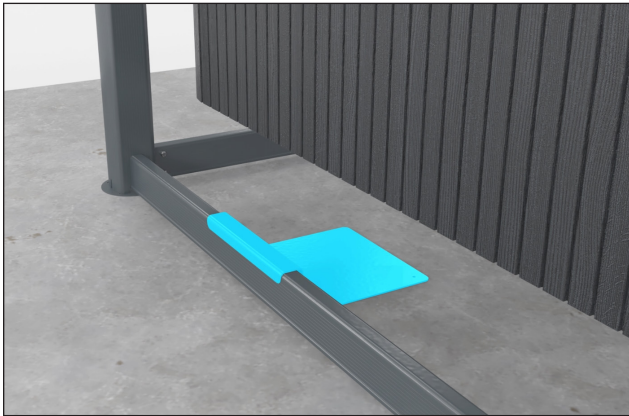
FIGURE 51: ANCHOR JACKS TO THE FOUNDATION



1	1/4" CONCRETE ANCHOR BOLT OR 1/4" LAG BOLT FOR WOOD FOUNDATION
----------	---

- If you cannot meet these requirements, install NON-PERMANENT MOUNTING PLATES (OPTIONAL).

FIGURE 52: OR USE NON-PERMANENT MOUNTING PLATES



KEY SWITCH INSTALLATION

DANGER

- The key switch must be:
 - Permanently mounted 5 ft away from the spa and 5 ft above the deck or ground level.
 - Vertically mounted in a location where no water downpour or debris could fall on it.
- Failure to properly install the key switch according to these instructions could result in injury or even death.



WARNING



WHEN OPERATING THE COVER, THE USER MUST ALWAYS HAVE A CLEAR VIEW OF THE COVER AND ITS SURROUNDINGS.

FIGURE 53: FASTEN BACKPLATE OF KEY SWITCH WITH FOUR SCREWS (NOT INCLUDED)



FIGURE 54: OR FASTEN BACKPLATE OF KEY SWITCH WITH TWO SCREWS (NOT INCLUDED)



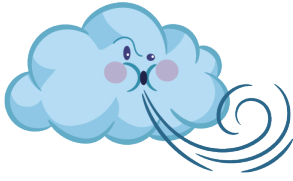
NON-PERMANENT MOUNTING PLATES (OPTIONAL)

NOTE

This setup is only available for spa base sizes larger than 82" wide.



WARNING



THE PLATES CAN ONLY BE USED IN AREAS WITH LOW WINDS; <30 MPH (50 KM/H) IN OPEN POSITION.



CAUTION



3 INSTALLERS ARE REQUIRED TO INSTALL THE NON-PERMANENT MOUNTING PLATES.

- Raise the cover to slightly lift the spa.
- Two installers must lift the spa at one end, 4" off the ground, while the third installer slips the mounting plate under the spa and hooks it over the U-frame. Two plates must be installed on each side.

FIGURE 55: INSTALL PLATES AS CLOSE AS POSSIBLE TO THE CORNERS

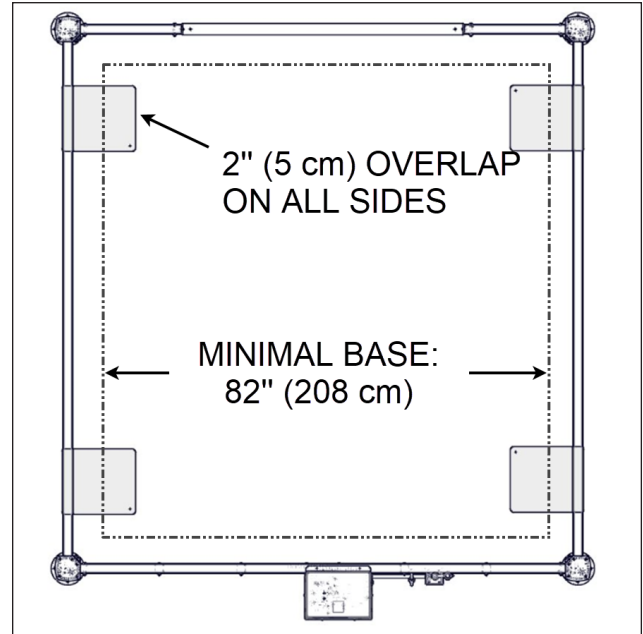
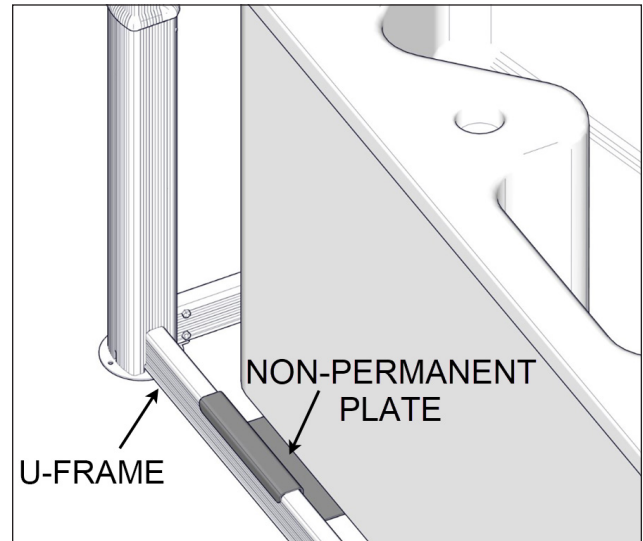
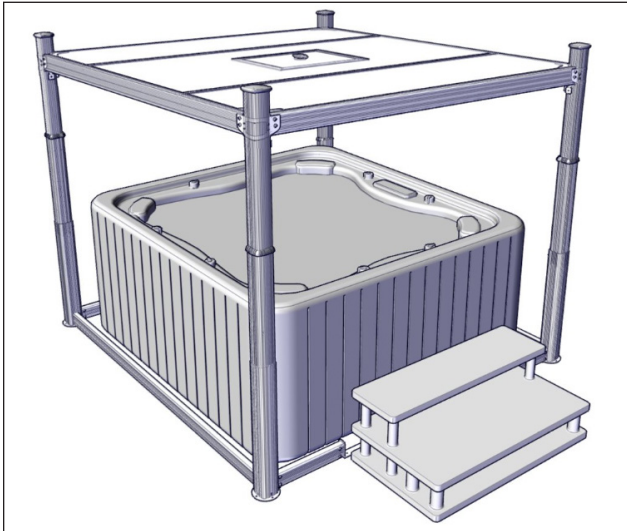


FIGURE 56: HOOK THE PLATES OVER THE U-FRAMES



WIPER INSTALLATION

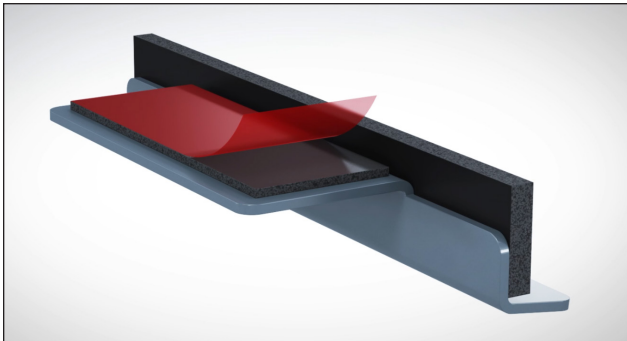
FIGURE 57: LIFT THE COVER HALFWAY UP



⚠ CAUTION

- There are four wipers.
- Make sure the I-beams are dry and clean.
- The ambient temperature must be between 70 °F to 100 °F (21 °C to 38 °C).

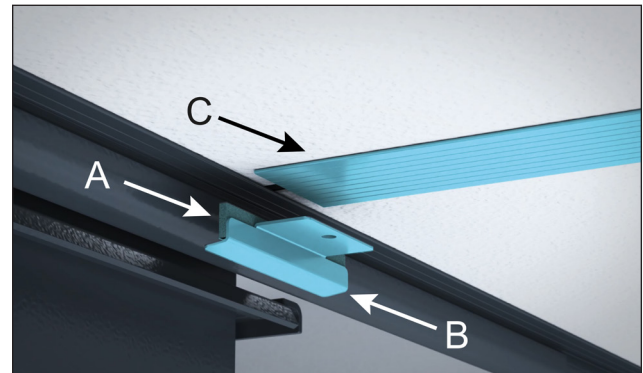
FIGURE 58: PEEL BACK THE RED SIDING OF THE DOUBLE-SIDED TAPE OF ONE WIPER



⚠ WARNING

- Improper installation of the wiper will affect its performance.
- Failure to install each wiper bracket properly can result in excessive cover leakage.

FIGURE 59: LOCATE AN I-BEAM UNDER THE COVER AND ORIENTATE THE FLAP OF THE WIPER OUTWARDS OF THE COVER



A	FLAP
B	WIPER BRACKET
C	I-BEAM

FIGURE 60: PLACE THE FLAP OF THE WIPER AT THE EDGE OF THE I-BEAM INTO THE GAP BETWEEN THE I-BEAM AND THE C-CHANNEL. STICK IT IN PLACE AND MAINTAIN PRESSURE FOR AT LEAST 60 SECONDS

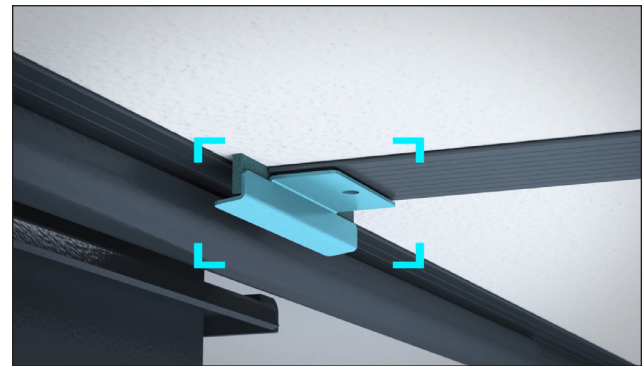
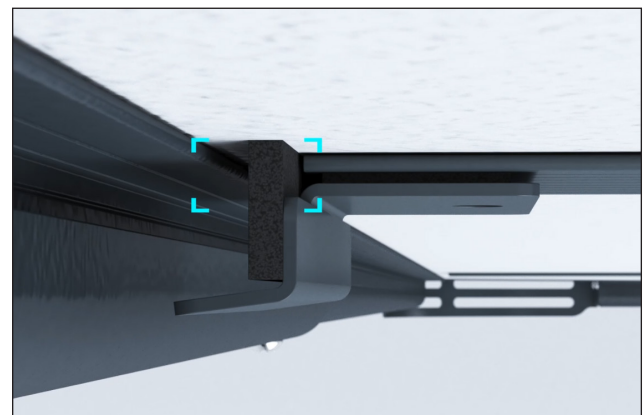


FIGURE 61: AT THE FINAL POSITION OF THE WIPER, THE FLAP MUST TOUCH THE EDGE OF THE I-BEAM



- Repeat previous steps for all wipers.

SEAL INSTALLATION

CAUTION



THE RECOMMENDED TOOL TO INSTALL THE SEAL IS A J-ROLLER WITH RUBBER ROLLER. IT MUST BE FREE OF SCRATCHES, CLEAN AND NON-ABRASIVE.
COVANA PART NO. 239693 (NOT INCLUDED)

CAUTION

- A path at least 1" (2.5 cm) wide all around the perimeter of the spa is necessary to install the seal.
- Install the seal when the ambient temperature is above 50 °F (10 °C).
- Reduce the water vapor steam generated by the spa (turn off the recirculation pump and set the temperature of the water between 2° and 5° under the ambient temperature). Wait for the water to reach the ambient temperature.

FIGURE 62: REMOVE FOAM SPACERS AND TAPE

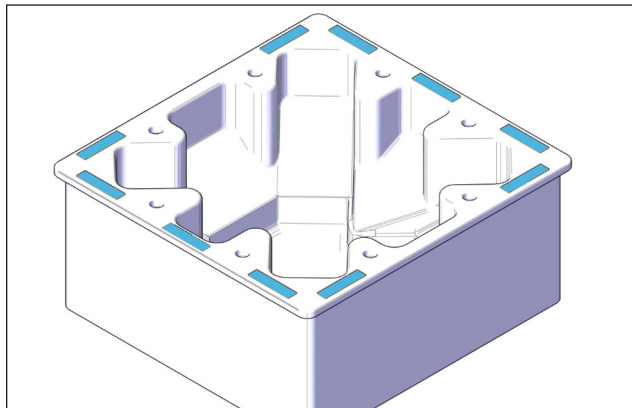


FIGURE 63: DRY TOP OF SPA AND UNDERSIDE OF COVER

CAUTION



THE TOP EDGES OF THE SPA MUST BE 100% DRY AND CLEAN. IF NECESSARY, USE ISOPROPYL ALCOHOL (IPA).

FIGURE 64: APPLY MASKING TAPE CLOSE TO INTERIOR EDGE OF SPA, ON A FLAT SURFACE

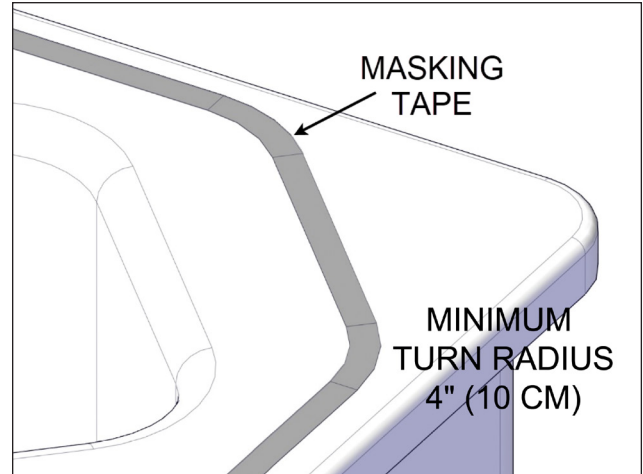
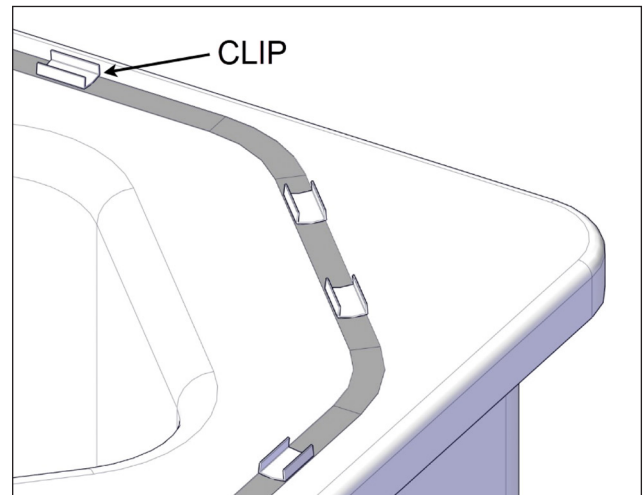


FIGURE 65: DISTRIBUTE THE CLIPS AROUND THE SPA (USE 2 FOR THE JOINT ON THE OPPOSITE SIDE FROM THE SPA ENTRANCE). ONCE THE DISTRIBUTION IS DONE, STICK THEM IN PLACE



CAUTION

Do not install the seal joint near a control system or critical components of the spa.

FIGURE 66: INSTALL SEAL IN CLIPS WITH ADHESIVE LAYER FACING UP

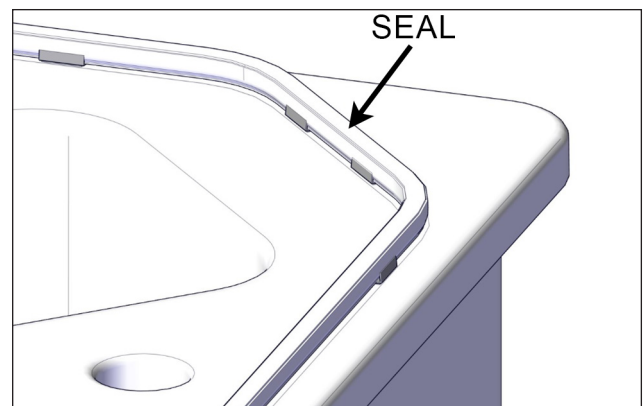
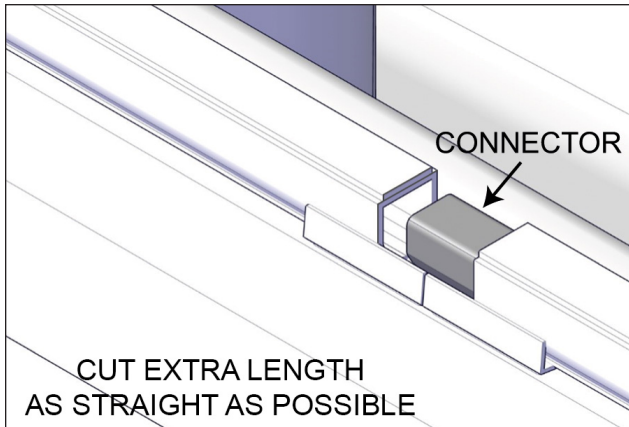


FIGURE 67: INSERT CONNECTOR IN BOTH ENDS OF THE SEAL



⚠ WARNING

- If there is no water in the spa and the ambient air temperature is below 50 °F (10 °C), a heater must be installed **on a pedestal** inside the spa.
- Do not directly heat the acrylic or the seal, as this may cause permanent damage.
- Once the heater is in the spa, lower the cover until it touches the seal. Regularly check the interior air temperature and do not let it reach temperatures above 104 °F (40 °C). After 10 to 15 minutes, remove the heater.
- Make sure that the air temperature in the spa is still between 68 °F and 104 °F (20 °C and 40 °C) before proceeding to the next steps.

FIGURE 68: LOWER THE COVER 1/4" OVER THE SEAL TO TEST THE SEAL PLACEMENT



FIGURE 69: REMOVE RED BACKING OFF SEAL

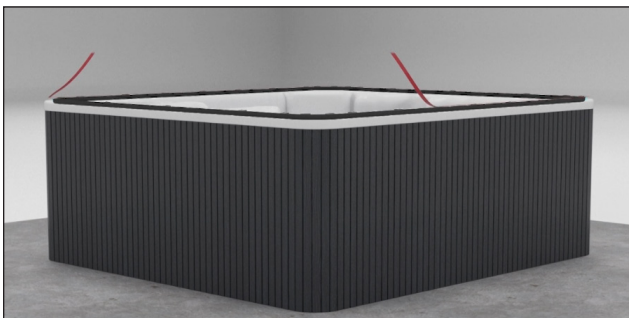


FIGURE 70: COMPLETELY LOWER THE COVER FOR AT LEAST 5 MINUTES

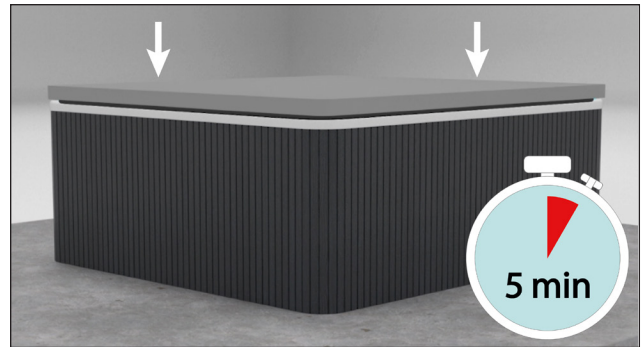


FIGURE 71: RAISE THE COVER 1/4" TO RELEASE THE SEAL FROM THE CLIPS

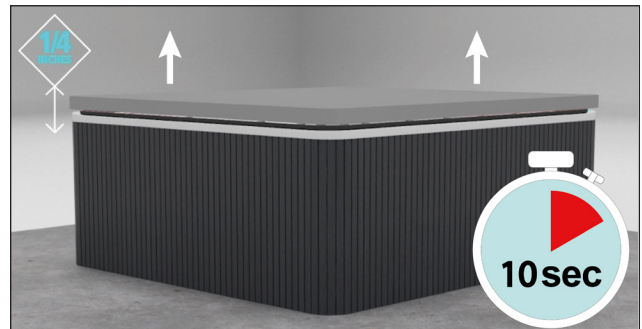


FIGURE 72: WHEN THE SEAL IS RELEASED, RAISE THE COVER 36" ABOVE THE SPA



FIGURE 73: APPLY 15 PSI PRESSURE WITH J-ROLLER

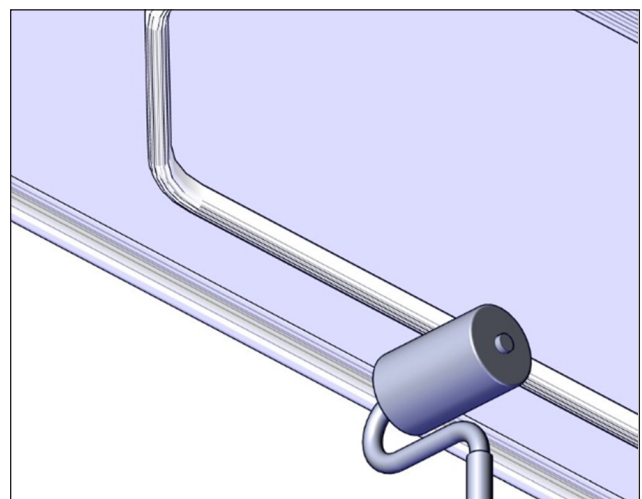


FIGURE 74: REMOVE THE CLIPS AND TAPE

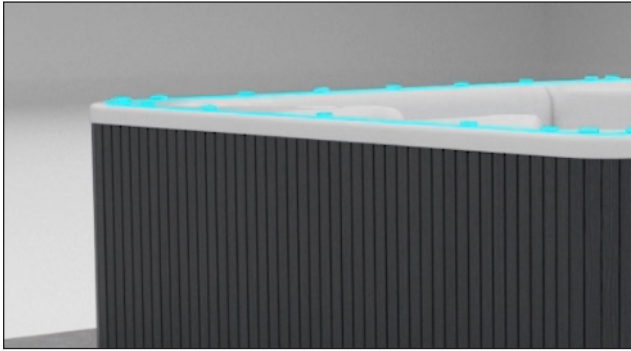


FIGURE 75: LOWER THE COVER 6" ABOVE THE SPA TO ENSURE THE CORNERS ARE AT THE SAME HEIGHT



FIGURE 76: LOWER THE COVER AND CHECK IF THE SEAL IS TOUCHING ALL AROUND THE SPA

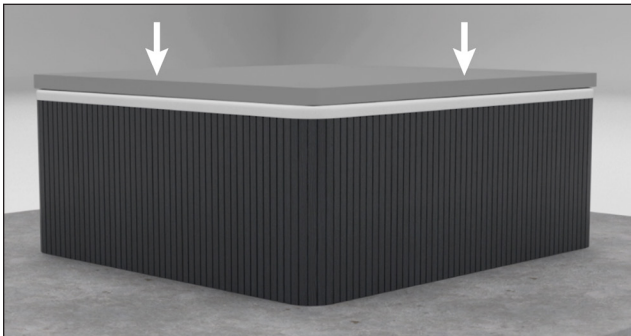


FIGURE 77: LEAVE THE COVER COMPLETELY CLOSED FOR AT LEAST 24 HOURS

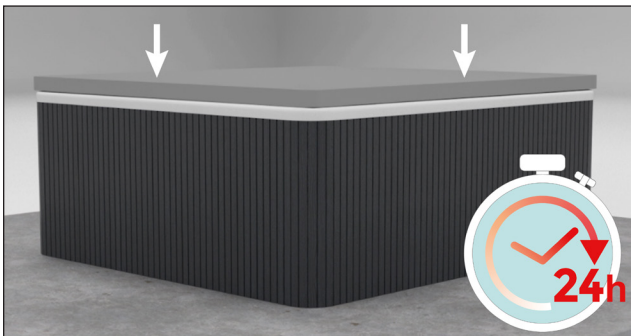


FIGURE 78: WRITE THE DATE OF INSTALLATION ON THE OPERATOR LABEL

COVANA a Division of CANIMEX Group

TOLL FREE # 877-278-8010 PATENTED

MODEL SER.#

INPUT AMPS / AMPS MAX

MFG. DATE

IN COMPLIANCE WITH UL2452 **UL US LISTED** 42CW SPA COVER OPERATOR

www.covana.com www.canimex.com

DATE OF INSTALLATION:

Fabrique au Canada Made in Canada

FIGURE 79: WRITE THE ADDRESS IN THE IMPORTER BOX (EUROPEAN MODEL SOLD IN SWITZERLAND)

COVANA Division of CANIMEX Group

285 RUE SAINT-GEORGES, DRUMMONDVILLE, QC CANADA J2C 4H3 TOLL FREE # 877-278-8010 WWW.COVANA.COM PATENTED

Fabrique au Canada Made in Canada

MODEL SER.#

TYPE REFERENCE MFG. DATE

DESIGNATION

CONTROL CIRCUIT RATED VALUES

VAC PH VAC A Hz N.m/s WATT

EU IMPORTER

DATE OF INSTALLATION:




  

FIGURE 80: ATTACH THE YELLOW TAG TO THE COVANA KEY RING



- Complete the Customer's installation checklist as well as the Installer's installation checklist.

ELECTRICAL CONNECTIONS

GROUNDING AND POWER SUPPLY CONNECTIONS

- Remove the 4 screws on the bottom side of the operator cover and remove the cover (Figure 80).
- For the complete wiring diagrams refer to the ELECTRICAL DIAGRAMS section.

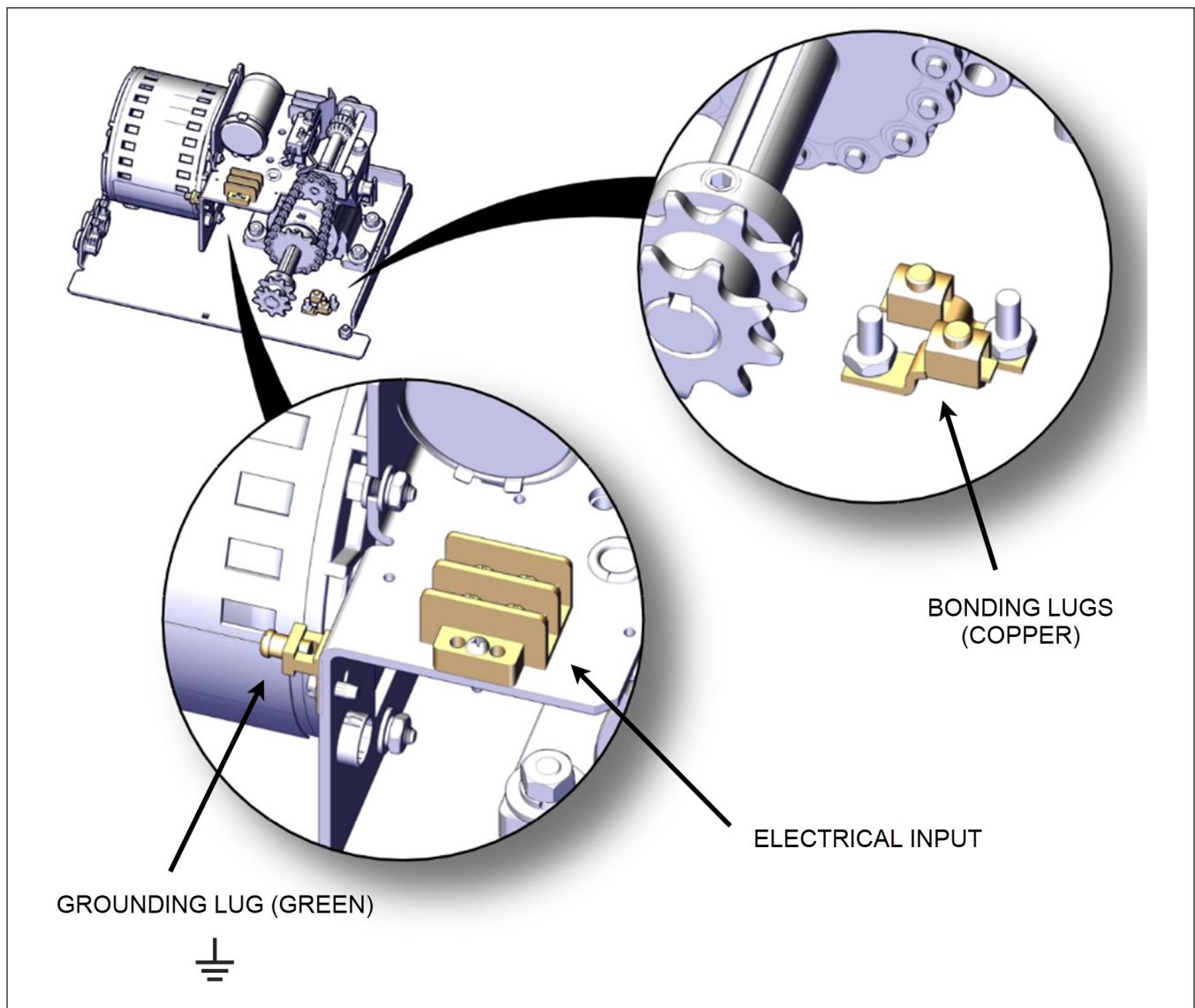

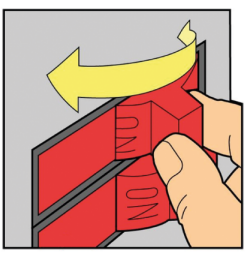


FIGURE 81: POWER SUPPLY CONNECTIONS


LIMIT SWITCH ADJUSTMENT



WARNING



DISCONNECT OR TURN OFF POWER SUPPLY BEFORE STARTING ANY WORK ON THE COVER. ALL ELECTRICAL WORK SHOULD BE PERFORMED BY A QUALIFIED ELECTRICIAN.



WARNING

Both limit switches have been factory-adjusted. If adjustments are required to ensure the cover does not come in contact with surrounding obstacles, the maximum height may be reduced. **Never change the factory setting of the lower limit nor increase the upper limit beyond the factory setting.**

FIGURE 82: REMOVE OPERATOR COVER

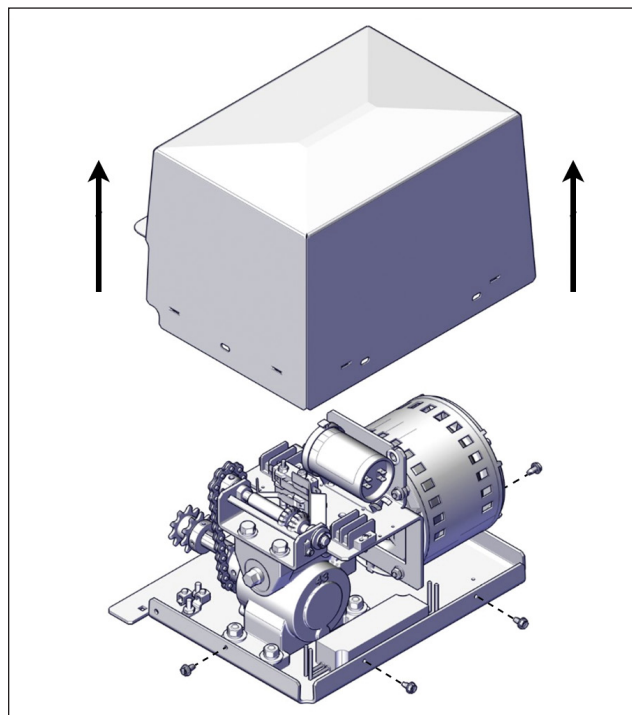
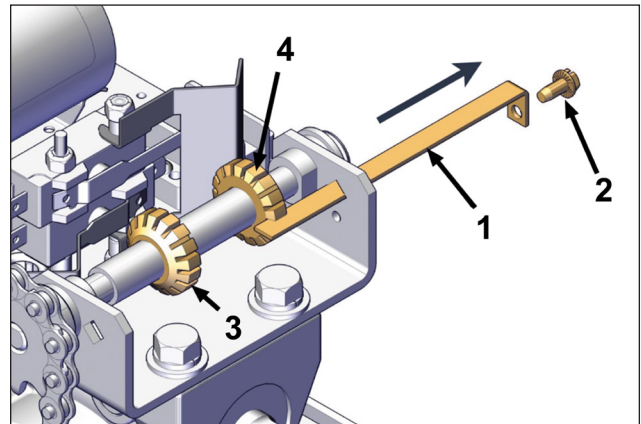


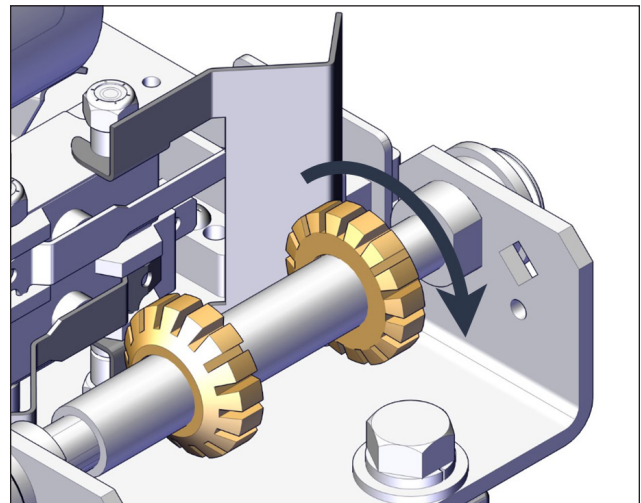
FIGURE 83: REMOVE SLOTTED SCREW AND CAM PLATE



1	CAM PLATE	3	DOWN-CAM WHEEL
2	SLOTTED SCREW	4	UP-CAM WHEEL

- To reduce the upper limit, turn the up-cam wheel. Removing a tooth is equivalent to removing 5/32" (4 mm) on the cover lifting stroke.

FIGURE 84: TURN UP-CAM WHEEL



Once the upper limit is set:

1. Reinstall the cam plate (make sure it is inserted in the slot of each cam wheel).
2. Reinsert the slotted screw.
3. Reinstall the operator cover (without the four screws).



WARNING

Never operate the cover without the cam plate and retaining screw installed.

- Turn the power on and test the height of the cover. Repeat the previous steps if necessary.
- Once the adjustment is completed, fasten the operator cover with the four screws.

SPA COVER INSTALLATION

Checklist

<input checked="" type="checkbox"/> INSTALLATION STEPS	NOTES
<input type="checkbox"/> The base preparation steps are done correctly.	
<input type="checkbox"/> The installation steps are done correctly.	
<input type="checkbox"/> The cable is properly attached to the bottom of each post.	
<input type="checkbox"/> The seal is properly installed and there is no steam leaking out around the cover.	
<input type="checkbox"/> The wipers are properly installed to make sure the cover is watertight.	
<input type="checkbox"/> The key switch is permanently installed vertically, at least 5 ft (1.5 m) away from the spa and 5 ft (1.5 m) from the ground.	
<input type="checkbox"/> The electrical portion of the installation was done by a certified electrician.	
<input type="checkbox"/> All parts supplied and included into the crate are installed.	
<input type="checkbox"/> The start-up procedure is completed.	
<input type="checkbox"/> The four jacks have been properly anchored to the foundation OR a set of non-permanent mounting plates has been installed.	
<input type="checkbox"/> The all-weather seals work properly.	
<input type="checkbox"/> The middle sleeves slide freely (manually slide the middle sleeves up and down when the cover is half open).	
<input type="checkbox"/> The date of installation has been written on the technical specifications label.	
<input type="checkbox"/> The yellow tag is attached to the COVANA key ring.	

Serial number	
Installation date (YYYY/MM/DD)	
Installer's name	
Installer's signature	
Customer's name	
Customer's signature	
Customer's address	
Retailer's name	

CUSTOMER COPY

SPA COVER INSTALLATION

Checklist


<input checked="" type="checkbox"/> INSTALLATION STEPS	NOTES
<input type="checkbox"/> The base preparation steps are done correctly.	
<input type="checkbox"/> The installation steps are done correctly.	
<input type="checkbox"/> The cable is properly attached to the bottom of each post.	
<input type="checkbox"/> The seal is properly installed and there is no steam leaking out around the cover.	
<input type="checkbox"/> The wipers are properly installed to make sure the cover is watertight.	
<input type="checkbox"/> The key switch is permanently installed vertically, at least 5 ft (1.5 m) away from the spa and 5 ft (1.5 m) from the ground.	
<input type="checkbox"/> The electrical portion of the installation was done by a certified electrician.	
<input type="checkbox"/> All parts supplied and included into the crate are installed.	
<input type="checkbox"/> The start-up procedure is completed.	
<input type="checkbox"/> The four jacks have been properly anchored to the foundation OR a set of non-permanent mounting plates has been installed.	
<input type="checkbox"/> The all-weather seals work properly.	
<input type="checkbox"/> The middle sleeves slide freely (manually slide the middle sleeves up and down when the cover is half open).	
<input type="checkbox"/> The date of installation has been written on the technical specifications label.	
<input type="checkbox"/> The yellow tag is attached to the COVANA key ring.	


Serial number	
Installation date (YYYY/MM/DD)	
Installer's name	
Installer's signature	
Customer's name	
Customer's signature	
Customer's address	
Retailer's name	

INSTALLER COPY

OWNER'S MANUAL


OPERATE THE COVER

 **WARNING**



READ THE SAFETY SECTION OF THIS MANUAL CAREFULLY BEFORE OPERATING THE COVER.

RAISING/LOWERING THE COVER WITH THE KEY SWITCH

 **WARNING**

Ensure that:

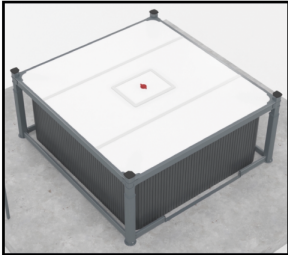
- There is nobody in or near the spa.
- There is no obstruction over or around the cover.
- The cover is completely visible when operating the key switch.
- The key is removed from the key switch when not in use; Bring the key in the spa to prevent any unauthorized operation of the cover.

- To raise the cover, press **and** hold the button while turning the key UP (↑ arrow).
- To lower the cover, press **and** hold the button while turning the key DOWN (↓ arrow).
- Install the rubber cap back on the key switch after each use.

NOTE

The cover will automatically stop in both the fully open and fully closed position.

IMPORTANT NOTE



KEEP THE COVER FULLY CLOSED WHEN NOT IN USE.

 **CAUTION**



REMOVE ALL DEBRIS AND SNOW FROM THE COVER, AROUND THE SLEEVES AND FROM THE MOTOR SIDE.

MANUAL OPERATION OF THE COVER

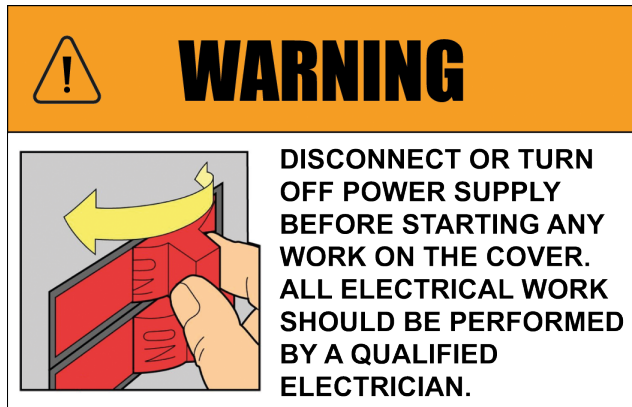
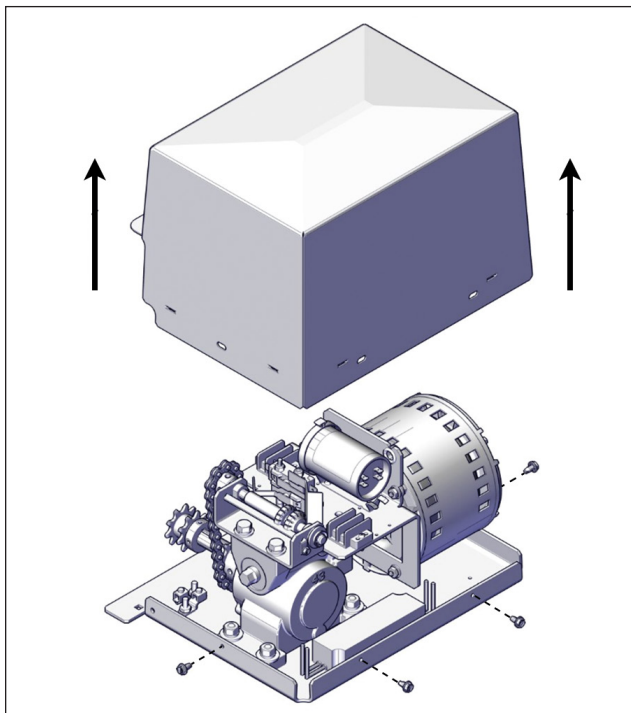


FIGURE 85: REMOVE OPERATOR COVER

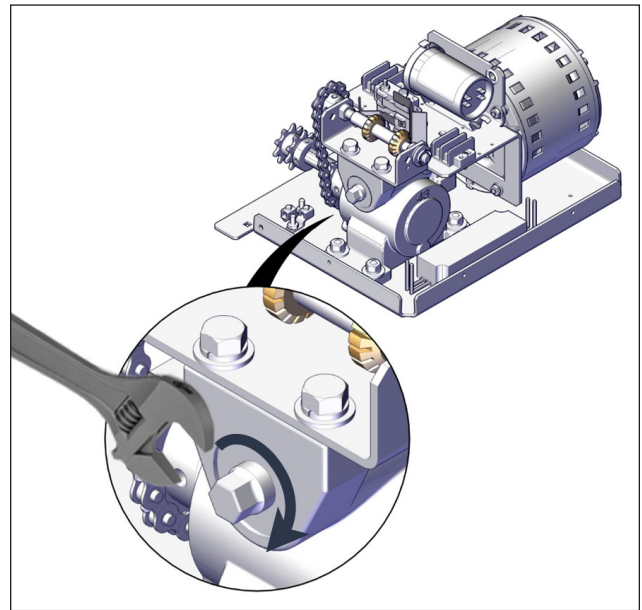


- Slowly turn the extension shaft clockwise to lower the cover, or counterclockwise to raise it. Stop immediately if any tension occurs.

WARNING

Do not exceed the limits of the mechanism. Failure to respect this guideline may cause mechanical failure.

FIGURE 86: USE WRENCH TO TURN EXTENSION SHAFT



- Reinstall the operator cover with the four screws.
- Reconnect and turn on the power supply.

USING THE ESCAPE HATCH

FROM INSIDE THE SPA

FIGURE 87: TURN THE HANDLE A QUARTER TURN IN EITHER DIRECTION TO RETRACT THE ARMS

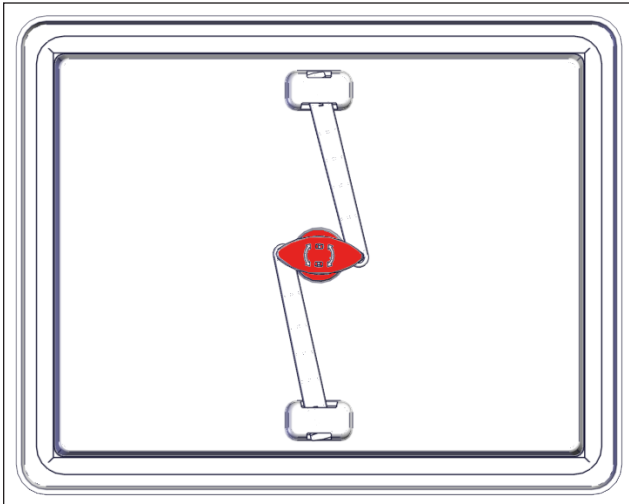
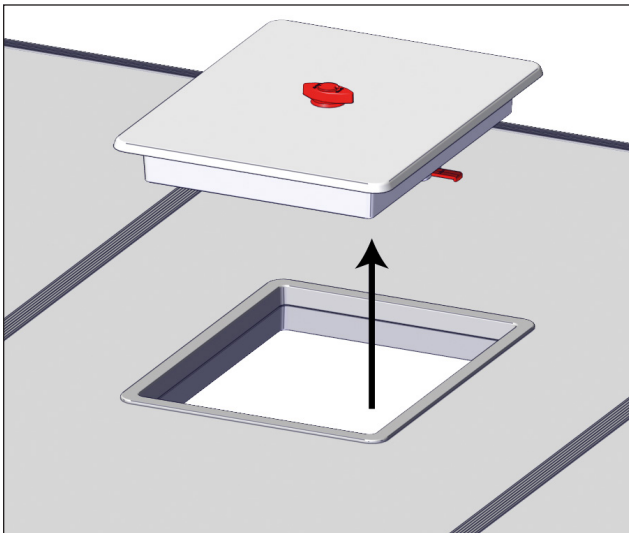


FIGURE 88: PUSH STRAIGHT UP ON THE ESCAPE HATCH AND MOVE IT TO THE SIDE



- Escape via the opening and call for assistance if required.

FROM OUTSIDE THE SPA

! **DANGER**

DO NOT



STEP

NEVER STEP ON THE ESCAPE HATCH AS IT COULD AFFECT ITS REMOVAL AND JEOPARDIZE THE LIFE OF THE PERSONS TRAPPED IN THE SPA.

FIGURE 89: TURN THE HANDLE LEFT OR RIGHT TO ALIGN THE SLOTS IN THE CENTER OF THE HANDLE

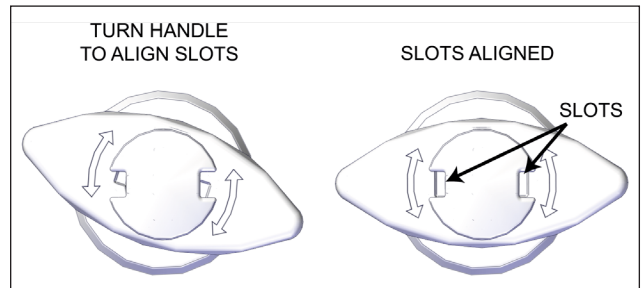


FIGURE 90: INSERT THE COVANA KEY OR ANY KEY INTO ONE OF THE SLOTS

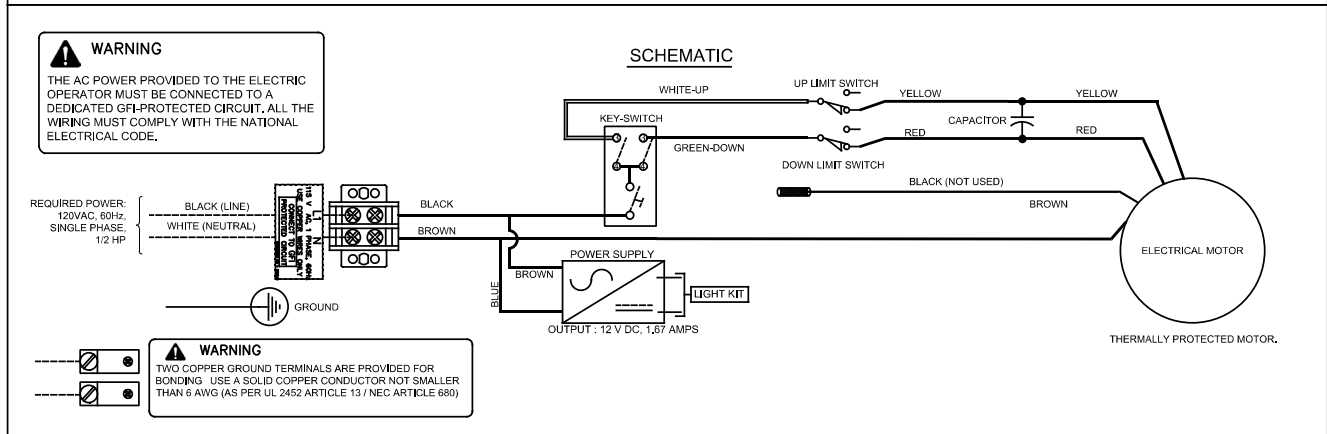
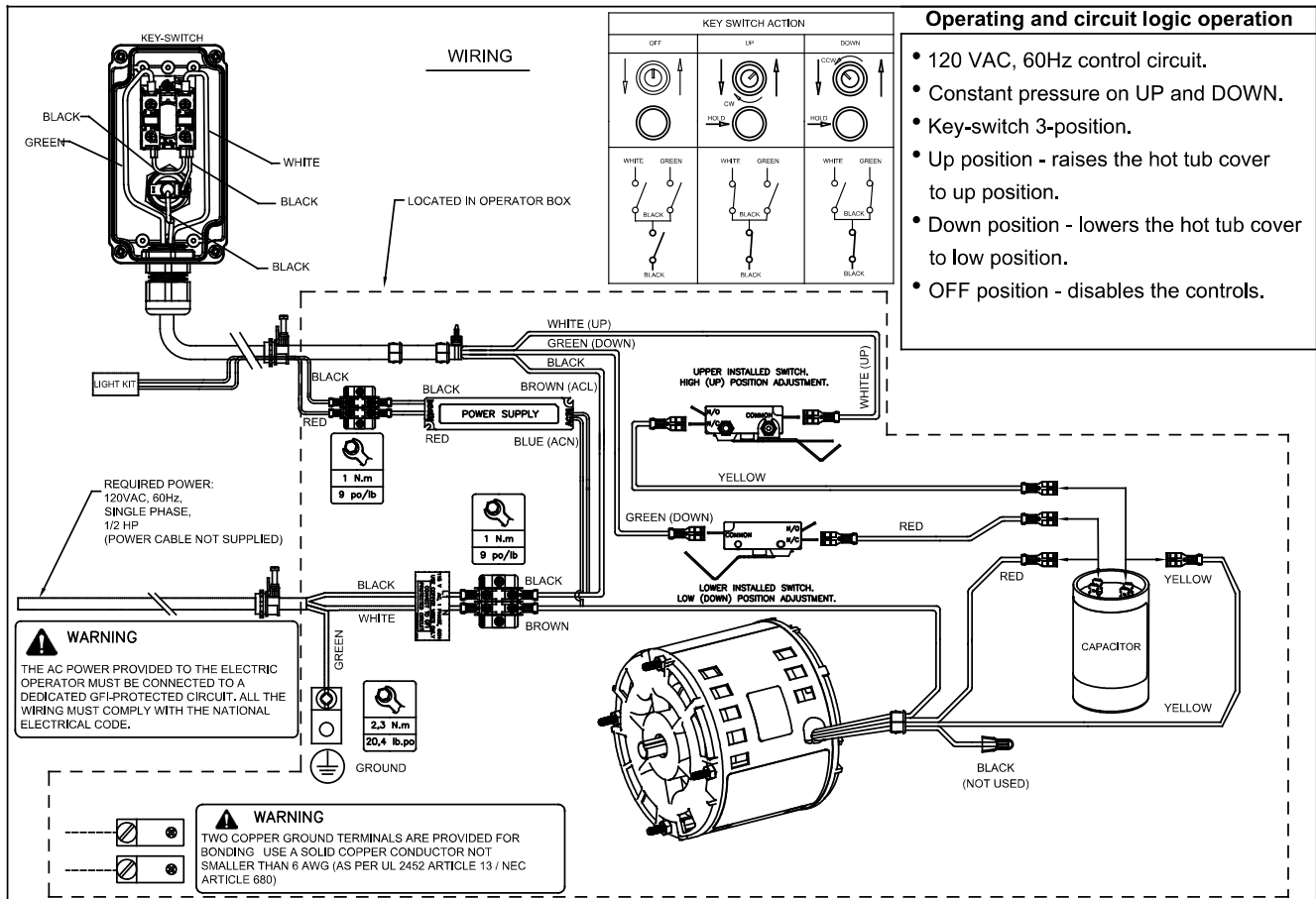


- Turn the handle a quarter turn in either direction to retract the arms (Figure 85).
- Lift the escape hatch straight up by gripping its sides and move it to the side.
- Help the persons trapped below by pulling them out of the spa via the opening.

ELECTRICAL DIAGRAMS

ELECTRICAL DIAGRAMS

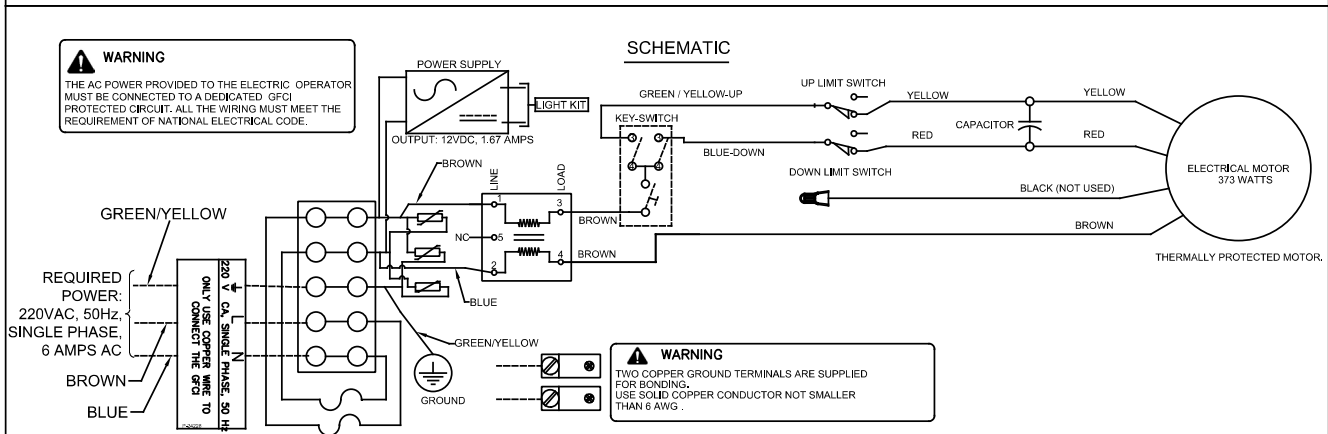
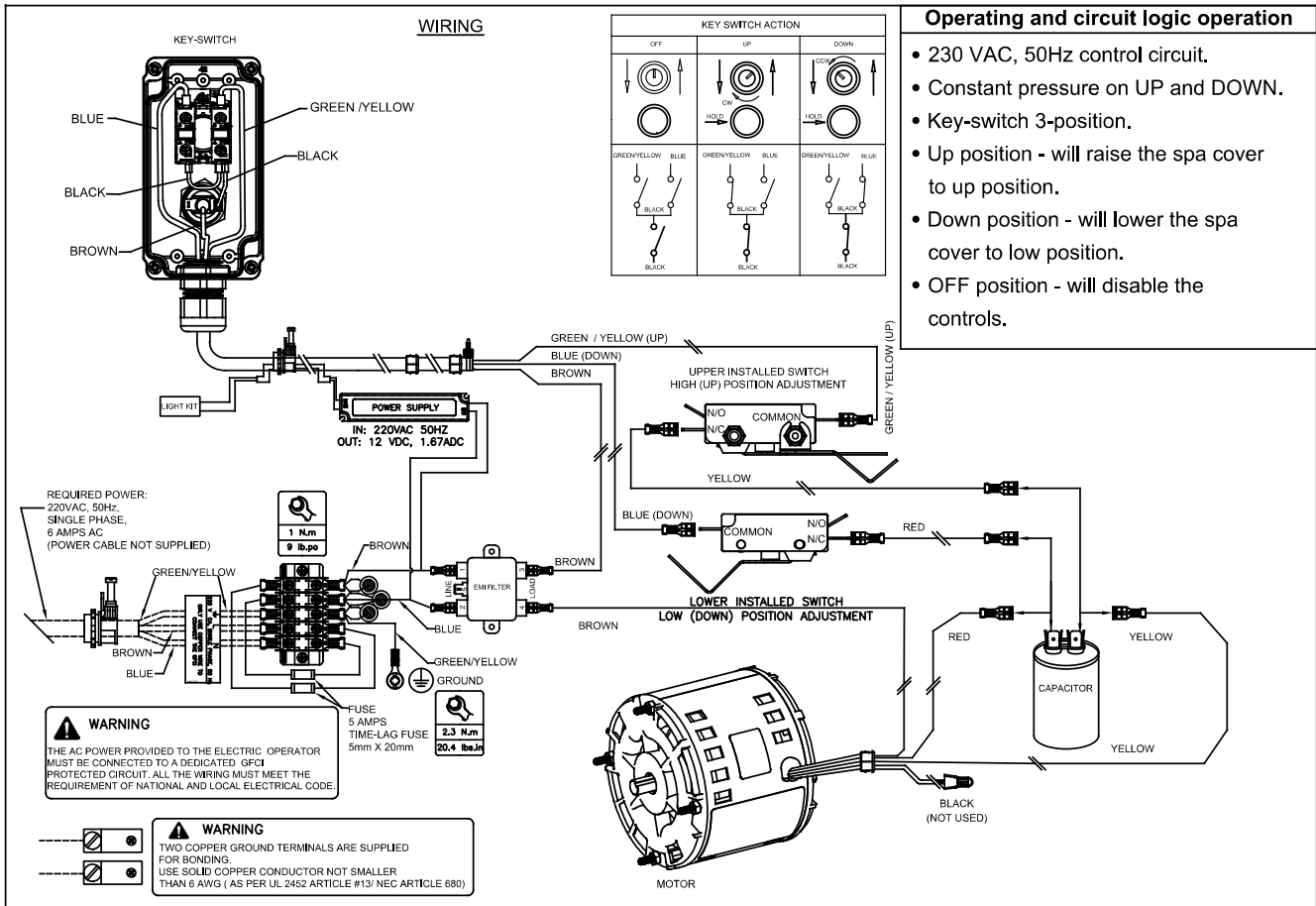
WIRING DIAGRAM (NORTH AMERICA) (LIGHTS) – 60 HZ, 120 VAC OPERATOR



Note: The spa cover operator is designed with an instant reverse single-phase motor with internal automatic reset thermal overload. In case of over-use, the motor will overheat and will shutdown. Once the motor cools down to its operational temperature, the spa cover could be used again.

The control circuit operates at 120VAC, 60Hz. Due to the resistance in the wire used to carry the control circuit voltage, it is important to use the appropriate wire size between the operator and the main power supply. If wire gage is not suitable for the distance, problems in operator will be encountered such as motor humming, premature wear of the limit switches' contacts and possible tripping of the motor's thermal protection. All power wiring should be installed by a qualified electrician and may vary with respect to conduit size and type as specified in the National Electric Code (NEC), Article 430, allowing 5% volt drop, or comply to any other local codes and regulations. Power must be connected in accordance with local electricity codes.

WIRING DIAGRAM (EUROPE) (LIGHTS) – 50 HZ, 230 VAC OPERATOR




Note: The spa cover operator is designed with an instant reverse single-phase motor with internal automatic reset thermal overload. In case of over-use, the motor will overheat and will shutdown. Once the motor cools down to its operational temperature, the spa cover could be used again.

The control circuit operates at 230 VAC, 50Hz. Due to the resistance in the wire used to carry the control circuit voltage, it is important to use the appropriate wire size between the operator and the main power supply. If wire gage is not suitable for the distance, problems in operator will be encountered such as motor humming, premature wear of the limit switches' contacts and possible tripping of the motor's thermal protection. All power wiring should be installed by a qualified electrician and may vary with respect to conduit size and type as specified in the National Electric Code (NEC), Article 430, allowing 5% volt drop, or comply to any other local codes and regulations. Power must be connected in accordance with local electricity codes.

MAINTENANCE


MAINTENANCE

WASHING THE COVER

 **CAUTION**

NEVER USE:

- A PRESSURE WASHER OR HIGH PRESSURE
- HARSH DETERGENTS
- ABRASIVE CLEANERS
- WATER HOTTER THAN 130°F (54°C)
- CLEANER OR STAIN REMOVER WITH CHLORINATED OR AROMATIC HYDROCARBONS



Step 1.


Gather supplies

- 1% solution of household dish soap (must have a neutral 6.5-7.5 pH range)
- Soft plastic brush
- Sponge
- Cloth



Step 2.

Wash the cover

1. Rinse the cover to remove any large debris.
2. Apply the soap solution in a scrubbing or circular motion using a sponge, cloth or soft plastic brush. 
3. Quickly rinse very thoroughly to remove all traces of soap; otherwise, a film will build up giving the cover a dull, dirty appearance.

WINTERIZING

 **CAUTION**



FOLLOW THESE INSTRUCTIONS IF YOU PLAN TO STOP USING THE SPA FOR A LONG PERIOD OF TIME OR IF THE TEMPERATURE DROPS BELOW FREEZING POINT.

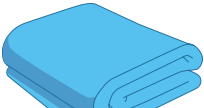
Step 1.


Prepare the spa for closure

Follow the spa manufacturer's winterization instructions.

Step 2.

Prepare the cover for closure

1. Remove dust, greasy residue and dirt from the cover.
2. Close the cover.
3. Turn off and secure the power supply of the cover.
4. Place a waterproof tarp on the cover, and another on the control box. 

 **CAUTION**

Use a tarp only for the winterization procedure and during the cold season; remove it as soon as seasonal temperatures are higher than the freezing point.

 **CAUTION**



REMOVE SNOW REGULARLY OR AFTER HEAVY SNOWFALL. DO NOT LET MORE THAN 12" (30 CM) OF SNOW ACCUMULATE ON THE COVER.

POST GREASING

The internal jacks require yearly greasing to ensure the best performance. Early in the fall season is the best time.

IMPORTANT NOTE



WHITE LITHIUM GREASE IS RECOMMENDED FOR ALL CLIMATES. IDEALLY A SPRAYABLE GREASE OR AN EQUIVALENT LOW TEMPERATURE SYNTHETIC GREASE.

NOTE

The posts will not lift by removing the top plates. Only the motor can raise or lower the posts.

POST GREASING PROCEDURE

- Lower the cover until it is fully closed.

FIGURE 91: REMOVE THE RUBBER CAP FROM EACH POST

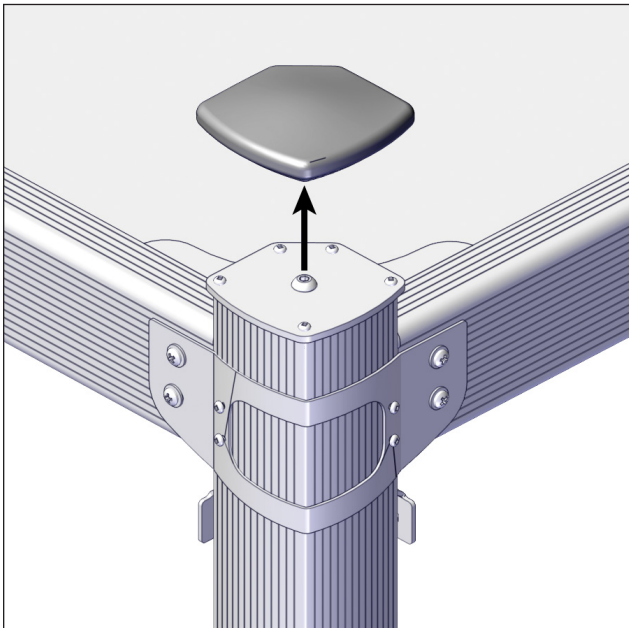
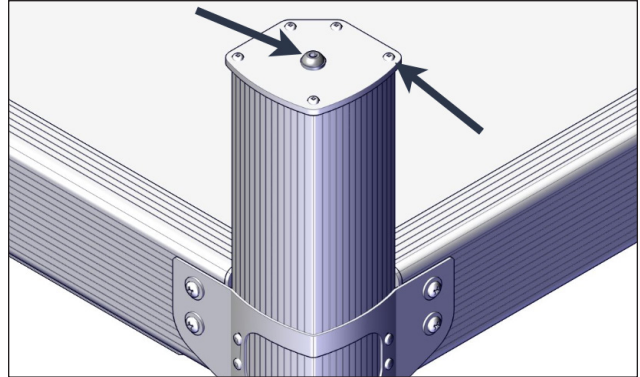


FIGURE 92: REMOVE THE TOP PLATE FROM EACH POST (6 SCREWS AND 1 BUSHING)



WARNING

Failure to remove all four top plates will result in important damages to the cover.

FIGURE 93: RAISE THE JACKS ALL THE WAY UP WITH THE KEY SWITCH

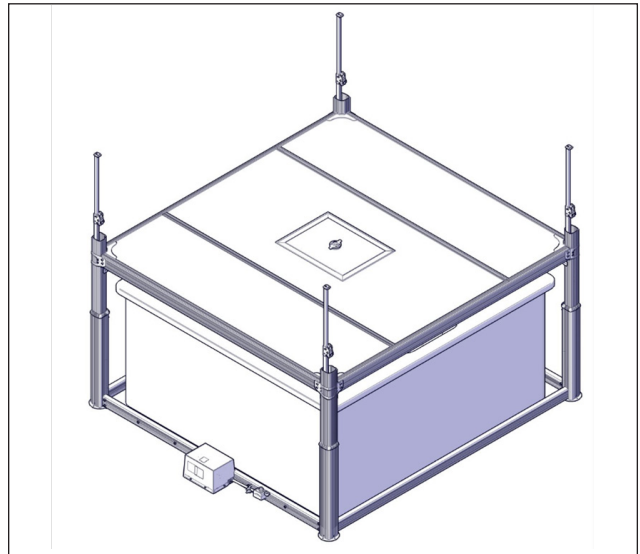


FIGURE 94: SPRAY GREASE ON THE SLIDING PARTS AND MECHANICAL COMPONENTS OF EACH JACK

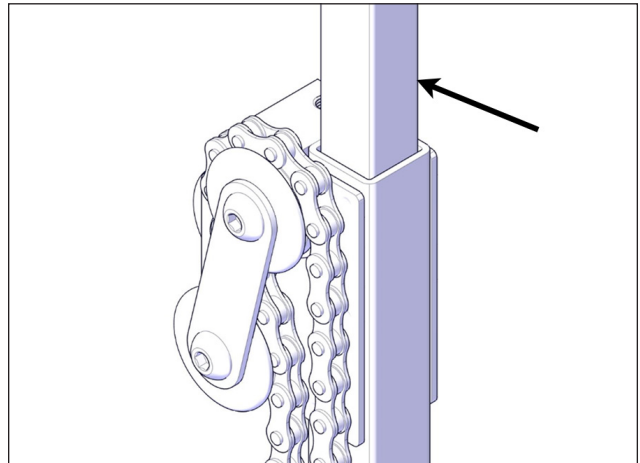
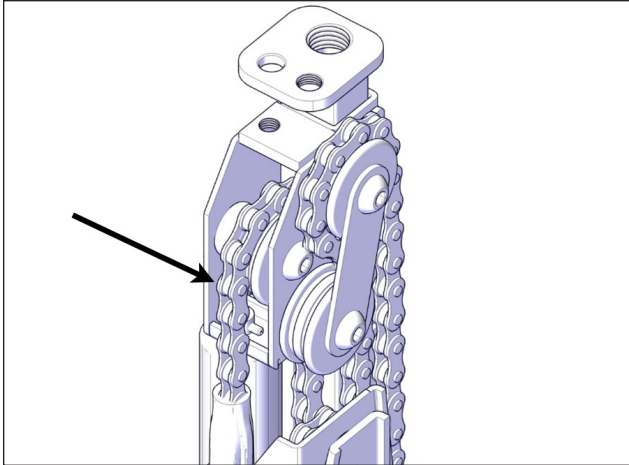


FIGURE 95: INSPECT THE CHAINS FOR SIGNS OF DETERIORATION



- Cycle the system up and down and check if more grease should be added.
- Lower the system completely until it stops automatically.
- Reinstall the top plate on each post with the five screws, as well as the hexagonal head screw and bushing.
- Reinstall the rubber cap on top of each post.

CHAIN LUBRICATION

The transmission power chains attached to the operator require yearly greasing.

IMPORTANT NOTE



WHITE LITHIUM GREASE IS RECOMMENDED FOR ALL CLIMATES. IDEALLY A SPRAYABLE GREASE OR AN EQUIVALENT LOW TEMPERATURE SYNTHETIC GREASE.

FIGURE 96: TWO CHAINS ARE ATTACHED TO THE OPERATOR (LEFT AND RIGHT)

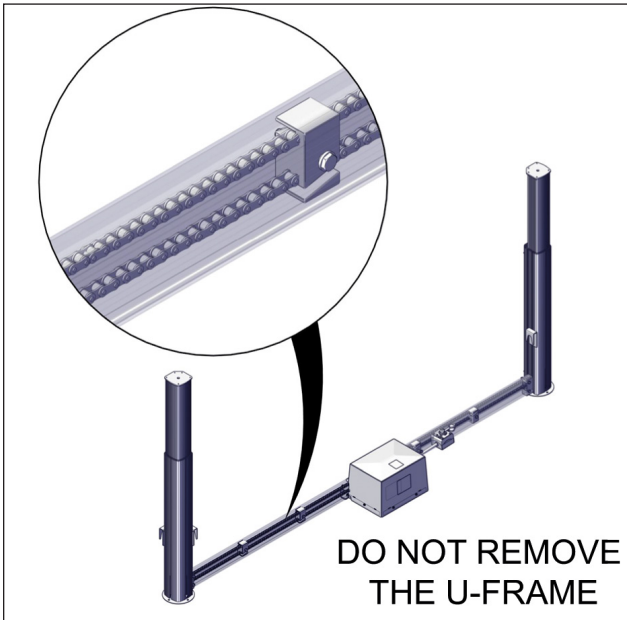


FIGURE 97: PARTIALLY UNSCREW THE SCREW AT THE BASE OF THE EXTERNAL SLEEVE

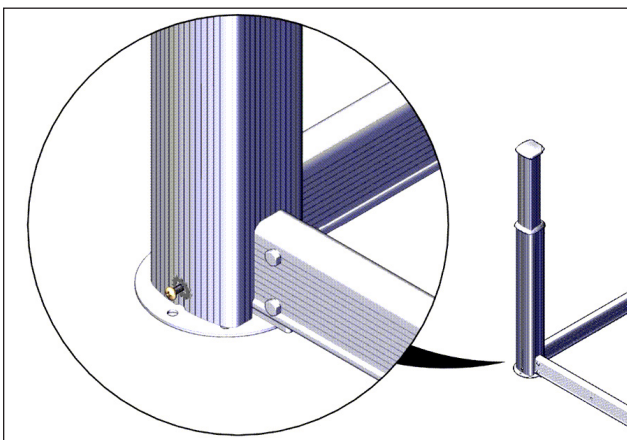
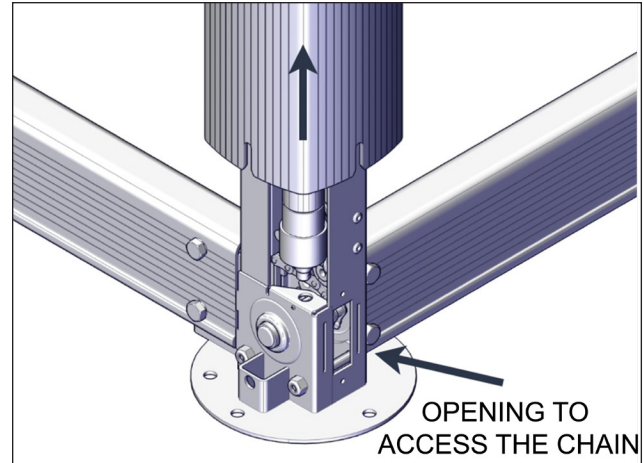


FIGURE 98: MANUALLY RAISE THE SLEEVE AND KEEP IT UP WITH A WOODEN BLOCK



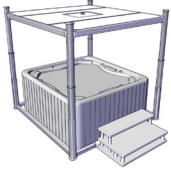
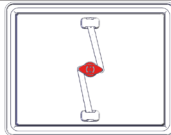

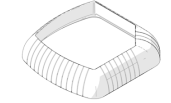

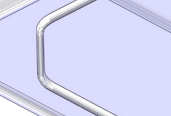

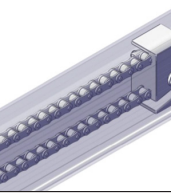

- Spray the chain lightly with grease while another operator cycles the cover up and down with the key switch.

FIGURE 99: LOWER THE SLEEVE AND TIGHTEN THE SCREW



- Repeat previous steps on the opposite post.

PERIODIC MAINTENANCE SCHEDULE

ITEM	TASKS	Each use	Weekly	Every 3 months	Yearly
	COVER <ul style="list-style-type: none"> Wash with a mild detergent (i.e., dishwashing detergent) and water. Rinse well using only water. Remove snow and debris from the cover, around the sleeves and from the motor side. Perform a visual inspection (debris, snow, ice, etc.). Listen to any unusual noises during operation. 	As needed			
	LIFTING MECHANISM Raise and lower the cover.	●	●		
	ESCAPE HATCH <ul style="list-style-type: none"> Remove and wash with a mild detergent (i.e., dishwashing detergent) and water. Rinse well using only water. Check if it works properly. 	As needed			
			●		
	SLEEVES Check if correctly positioned (middle sleeves are not out of their normal position).	●			
	ALL-WEATHER SEALS Check if correctly positioned (in contact with outer sleeves when cover is closed).	●			
	ROLLER SHADES Adjust the brackets if needed to prevent wrinkles.		●		
	SEAL Make sure there is no vapor steam leakage.		●		
	ANCHORS Check anchoring of cover.*				●
	CHAINS <ul style="list-style-type: none"> Check tension of each post and in U-frames.* Lubricate chains in each post and in the U-frames.* 				●
	JACKS Grease the jack assemblies.*				●
GFCI	Test GFCI.			●	

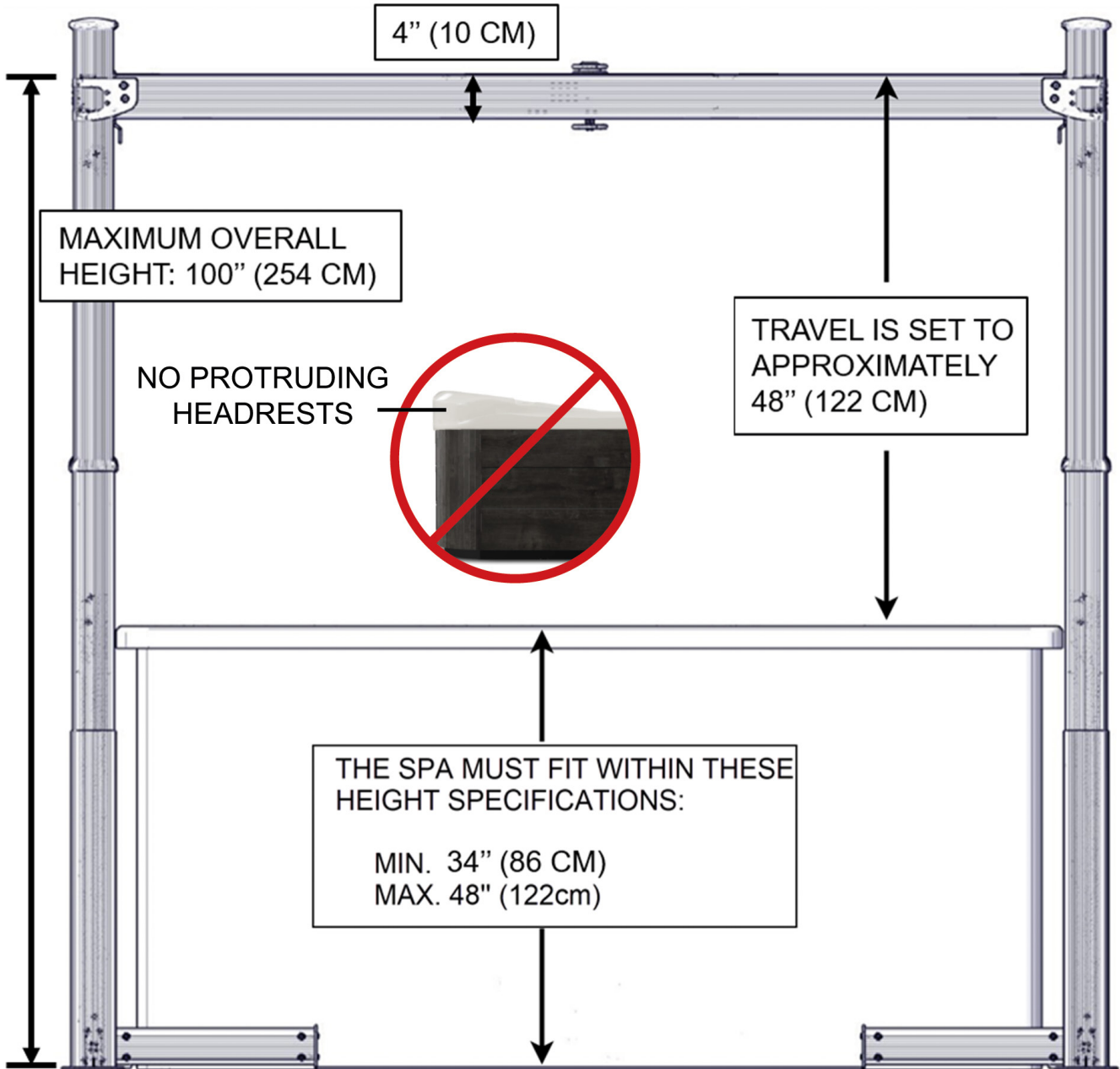
*Contact your local Covana retailer.

Call your Covana retailer for any mechanical, electrical or aesthetic maintenance.

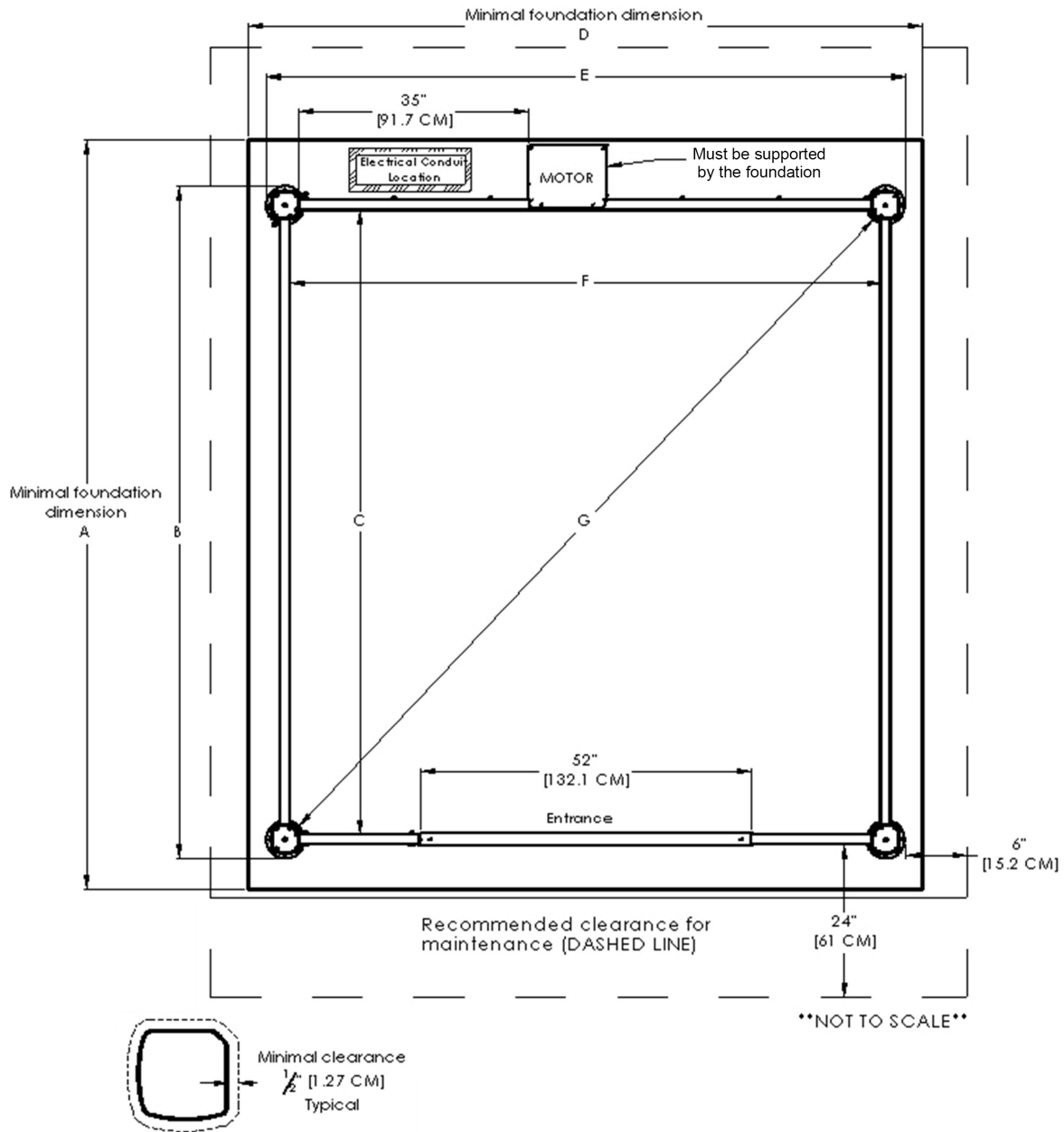
TECHNICAL SPECIFICATIONS

TECHNICAL SPECIFICATIONS

COVER FRONT ELEVATION PLAN

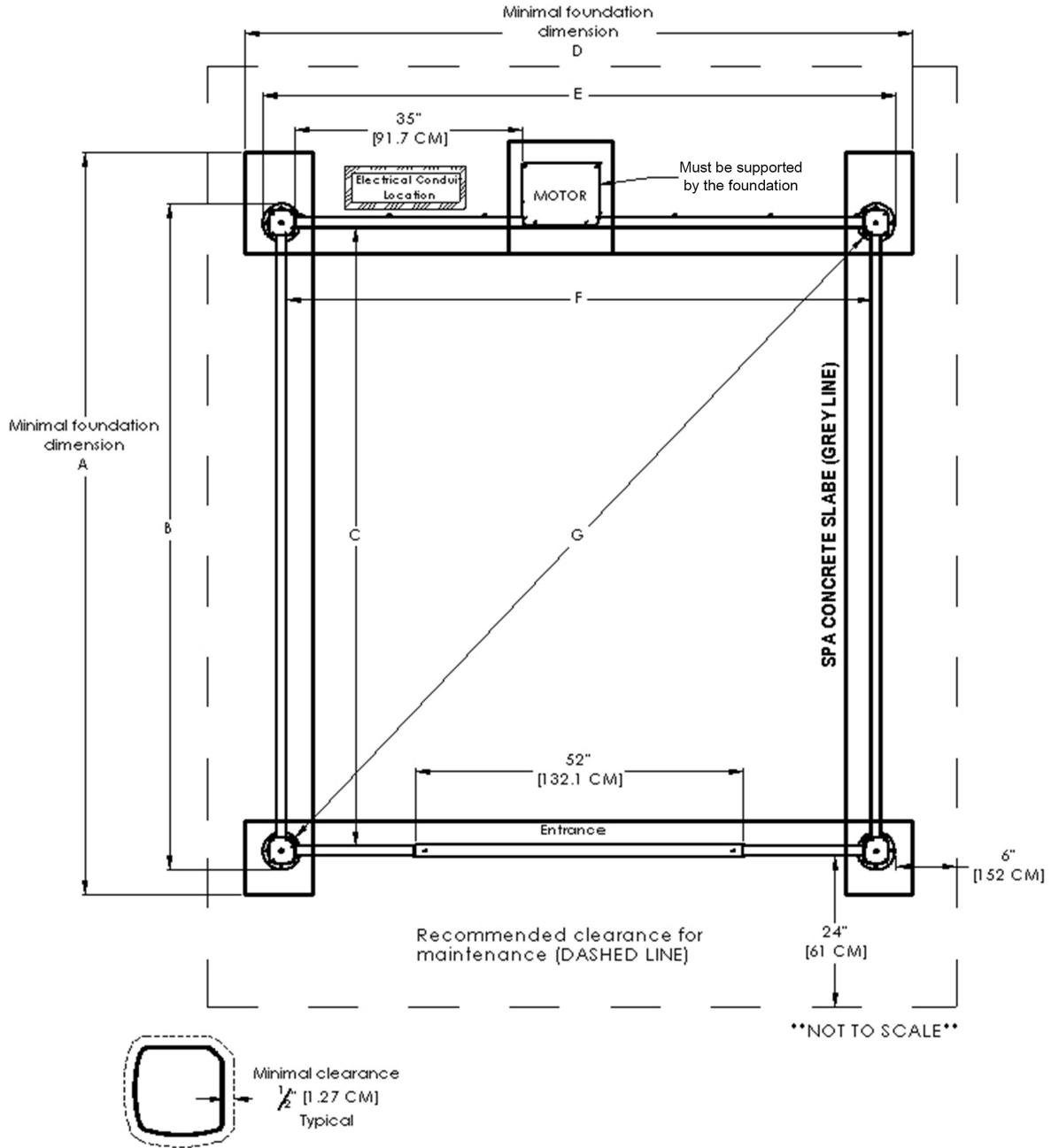


FRAME DIMENSIONS AND FOOT PRINT



COVER LENGTH	A	B	C	D	E	F	G
8 FT	118" (299.7 cm)	105.75" (268.5 cm)	98" (249 cm)	106" (269.2 cm)	100.5" (255.2 cm)	92.75" (235.7 cm)	131.25" (333.4 cm)
9 FT	130.5" (331.5 cm)	118.25" (300.4 cm)	110.5" (280.7 cm)				140.5" (356.9 cm)
10 FT	142.5" (362 cm)	130.25" (330.8 cm)	122.5" (311.2 cm)				150" (381 cm)
11 FT	154.5" (392.4 cm)	142.25" (361.3 cm)	134.5" (341.6 cm)				159.75" (405.8 cm)

CONCRETE SLAB LAYOUT OPTION



COVER LENGTH	A	B	C	D	E	F	G
8 FT	118" (299.7 cm)	105.75" (268.5 cm)	98" (249 cm)	106" (269.2 cm)	100.5" (255.2 cm)	92.75" (235.7 cm)	131.25" (333.4 cm)
9 FT	130.5" (331.5 cm)	118.25" (300.4 cm)	110.5" (280.7 cm)				140.5" (356.9 cm)
10 FT	142.5" (362 cm)	130.25" (330.8 cm)	122.5" (311.2 cm)				150" (381 cm)
11 FT	154.5" (392.4 cm)	142.25" (361.3 cm)	134.5" (341.6 cm)				159.75" (405.8 cm)

ELECTRICAL SPECIFICATIONS

The cover requires a dedicated single phase 115 VAC (North America) or 230 VAC (Europe) hard-wired power supply.

The cover must be installed in accordance with and comply with all applicable local codes and regulations. All wiring and connections should be performed by a certified electrician.

Wires and cables should be sized according to local codes and regulations.

NORTH AMERICAN REQUIREMENTS

Voltage	115 V, 60 Hz (1 hot, 1 neutral, 1 ground)
GFCI	15 A single-pole GFCI (not included)
Current draw	Max 12 A

EUROPEAN REQUIREMENTS

Voltage	230 V, 50 Hz (2, 1 ground)
GFCI	10 A single-pole GFCI (not included)
Current draw	Max 6 A

WARNING

Covana does not allow any modifications to the electrical system. Covana reserves the right to void the warranty if any modification is done without its approval.

OPERATION LIMITATIONS

WARNING

The cover should never be used if the following conditions are reached.

Maximum wind	Gusts of 30 mph (50 km/h) while in the raised position. Lower the cover when winds exceed 30 mph (50 km/h).
Maximum weight on the cover (evenly distributed)	200 lb. (90 kg) Before operating the cover, make sure it is free of any dirt, debris, leaves, snow, etc.

GENERAL SPECIFICATIONS

Lifting speed	2.5 in./s (6.35 cm/s)
Total weight	600 lb. (272 kg)
Length of key switch cable	25 ft (7.6 m)

TROUBLESHOOTING

TROUBLESHOOTING

PROBLEM	PROBABLE CAUSES	SOLUTIONS
The cover does not raise or lower (silent motor and no movement).	The GFCI is tripped.	Reset the GFCI.
	The power source is disconnected.	<ul style="list-style-type: none"> • Verify that the power source is enabled. • Check the breaker panel. • Verify whether the cables were damaged or pinched.
The cover does not raise or lower (motor humming and some visible movement).	Posts are frozen.	Use methanol to free ice buildup on posts.
	Jack assemblies are jammed.	Apply grease on the post assemblies.
	The motor is obstructed.	<ul style="list-style-type: none"> • Hold the key in the problematic direction. If the cover moves in the opposite direction, this indicates a mechanical restriction (contact your local authorized Covana retailer). • If the cover does not move in the opposite direction, reset the lower limit of the cover.
	Posts are obstructed.	<ul style="list-style-type: none"> • Verify whether any posts are obstructed. • Verify the relative position of the four posts (see FOUNDATION PREPARATION).
	The debris on the cover is too heavy.	Remove all the debris from the top of the cover.
If all previous attempts failed, contact your local authorized Covana retailer.		
The posts are not equally positioned.	The post screws (attached to the outer sleeve) are loose.	Lower the cover completely and fasten the post back in at the correct height.
	The chain skipped during operation.	Lower the cover and replace the chain.
	A spring pin at the bottom of a jack is broken.	Replace any missing or broken spring pin by lifting the outer sleeve, using an awl and a hammer.
	A drive shaft has fallen off.	Verify whether a drive shaft has fallen off and if it is the case, reinstall the shaft.
	Excessive weight on one side of the cover.	Remove all debris from the top of the cover.
If all previous attempts failed, contact your local authorized Covana retailer.		
The shades are loose, retracted improperly or disconnected from the brackets. The shades are wrinkling or bulging at the roller.	<ul style="list-style-type: none"> • The internal spring is not wound enough. • Too much tension in the internal spring. 	<ul style="list-style-type: none"> • Consult the Shade installation manual. • Remove the bottom rod and reset the tension back to “4 turns”.
	Holding brackets are not parallel.	Make sure the outer sleeves are sitting on the foot plate, reposition the holding brackets so the roller shade is moving straight.
The middle sleeve has gripped and might have dropped abruptly.	Posts are frozen.	Verify the position of the all-weather seal. While the cover is closed, it must be sitting on the top of the outer sleeve.
	Sleeves are misaligned.	<ul style="list-style-type: none"> • Reinstall the sleeves. • Check level on 2 faces of the sleeve.
	The stopper kit is broken/missing.	Check whether the stopper kit is broken/missing.
If all previous attempts failed, contact your local authorized Covana retailer.		

PROBLEM	PROBABLE CAUSES	SOLUTIONS
The cover raises unevenly.	<ul style="list-style-type: none"> • The chain is broken. • A spring pin is broken. • A drive shaft has fallen off. • Posts are gripped. 	Do not operate the cover.
Contact your local authorized Covana retailer for technical support.		
Cover raises but does not lower. ⚡ Cut power before performing any electrical work.	The cam plate is incorrectly positioned or missing.	Check that the cam plate is installed and in good condition (see LIMIT SWITCH ADJUSTMENT).
	The key switch is faulty.	Contact your local authorized Covana retailer for technical support.
	Limit switches don't operate properly.	<ul style="list-style-type: none"> • Certified electrician only: Open the operator and check for faulty up and down limit switches. • Check if there is any corrosion on the terminals and clean it if necessary. • Check if any electrical cables are damaged or pinched.
Cover lowers but does not raise. ⚡ Cut power before performing any electrical work.	The cam plate is incorrectly positioned or missing.	Check that the cam plate is installed and in good condition (see LIMIT SWITCH ADJUSTMENT).
	The key switch is faulty.	Contact your local authorized Covana retailer for technical support.
	Limit switches don't operate properly.	<ul style="list-style-type: none"> • Certified electrician only: Open the operator and check for faulty up and down limit switches. • Check if there is any corrosion on the terminals and clean it if necessary. • Check if any electrical cables are damaged or pinched.
Cover seal turned black.	The seal has accumulated mold.	Clean the affected areas with bleach and a soft brush. Rinse well with water.
Escape hatch doesn't open/close	Mechanism is jammed.	Refer to the USING THE ESCAPE HATCH section.
	Verify the position of the locking mechanism.	Remove the escape hatch from the underside of the cover and clean it to free the mechanism.
If all previous attempts failed, contact your local authorized Covana retailer.		



FOR MORE INFORMATION, AND TO FIND THE NEAREST
COVANA RETAILER VISIT OUR WEBSITE:

covana.com info@covana.com



COVANA a division of Canimex,
committed to excellence since 1969.