

Pre-delivery guide

Legend

Get ready to welcome
your new swim spa cover

COVANA

This comprehensive guide will help you prepare for the arrival and installation of your Covana automated swim spa cover. From selecting the ideal location to planning the delivery, each section offers tips for a safe and easy installation.

Use the table of contents to easily navigate the guide and optimize your experience.

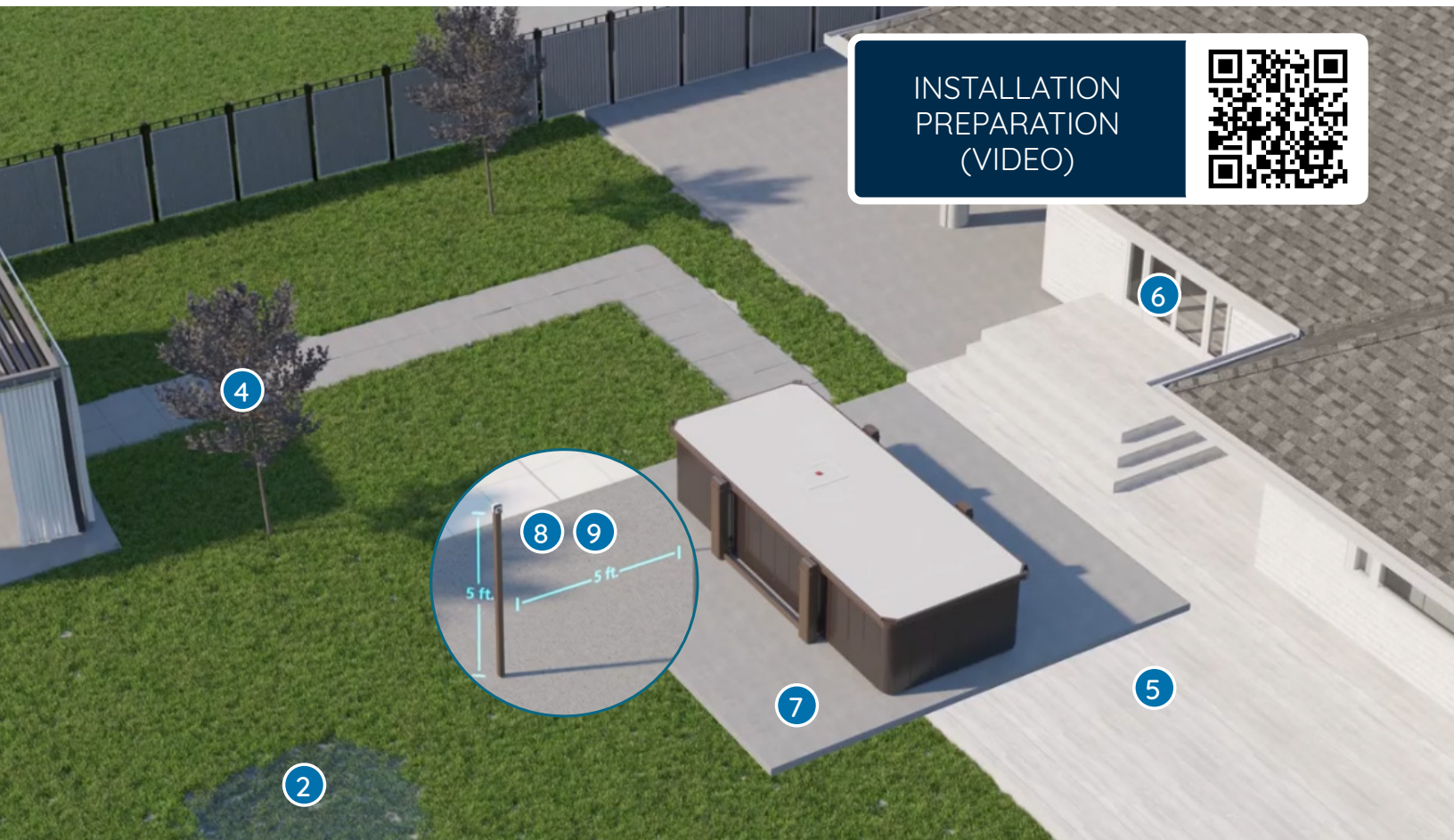
Table of contents

CHOOSING THE PERFECT LOCATION.....	3
SWIM SPA COMPATIBILITY - LEGEND	4
SWIM SPA COMPATIBILITY - LEGEND89	5
COLORS.....	7
PRIVACY SHADES.....	8
LAYING THE RIGHT FOUNDATION.....	9
ELECTRICAL SPECIFICATIONS.....	10
PLANNING THE DELIVERY	11

To get the most out of your Covana swim spa cover and ensure its longevity, it all starts with choosing the right location.

CHOOSING THE PERFECT LOCATION

- 1 The Covana cover can be installed either indoors or outdoors.
- 2 Away from flood zone, water downpours or debris falling.
- 3 Wind speed should not exceed 25 mph (40 km/h) in the raised position.
- 4 Operating area must be free from obstacles, i.e., branches or electrical power lines.
- 5 Allow for safe access to the spa, free of obstacles or debris.
- 6 Sunlight must not converge or be directly reflected on the cover such as the reflection from a window.
- 7 The installation area must be clean and free of any vegetation (i.e., grass, branches, roots) and mineral contaminants (i.e., rocks, dust, sand).
- 8 The key switch must be permanently mounted vertically and located 5 ft (1.5 m) away from the spa and 5 ft (1.5 m) above the deck or ground level in a location where no water downpour or debris could fall on it.
- 9 The user must have a clear view of the cover when operating it (25 ft / 7.6 m cable).



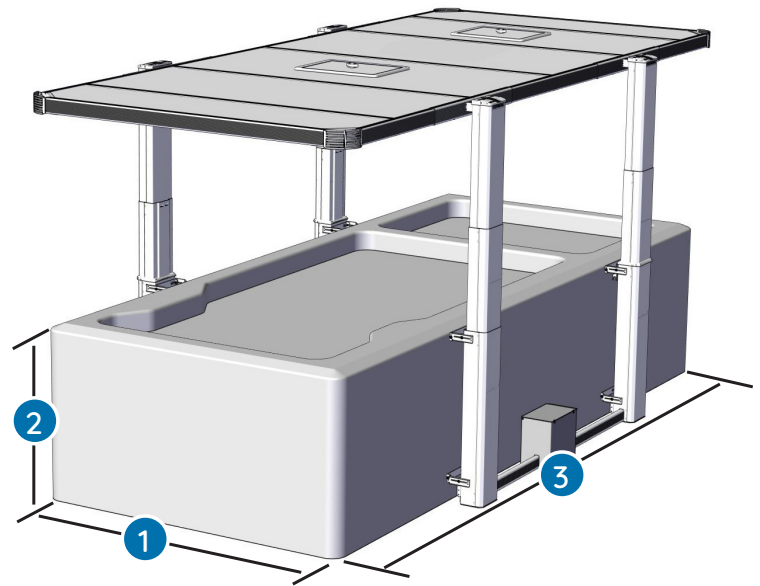
If you are unsure which model to choose, please go to:
covana.com/en/support

SWIM SPA COMPATIBILITY - LEGEND

Most rectangular swim spas with a **flat surface (no protruding headrests)**. The spa wall on both sides must be flat and parallel.

SWIM SPA MAXIMUM LENGTH ³	LEGEND LENGTH	ESCAPE HATCH(ES)*	<input checked="" type="checkbox"/>
146.25 in (371.5 cm)	12 ft (3.66 m)	1	
158.25 in (402 cm)	13 ft (3.96 m)	1	
170.25 in (432.4 cm)	14 ft (4.27 m)	1	
182.25 in (463 cm)	15 ft (4.57 m)	1	
194.25 in (493.4 cm)	16 ft (4.88 m)	1 or 2	
206.25 in (523.9 cm)	17 ft (5.18 m)	1 or 2	
218.25 in (554.4 cm)	18 ft (5.49 m)	1 or 2	
230.25 in (584.8 cm)	19 ft (5.79 m)	1 or 2	
241.25 in (612.8 cm)	20 ft (6.1 m)	1 or 2	

¹	90 in to 93 in (229 cm to 236 cm)
²	46.5 in to 62 in (118 cm to 158 cm)
³	241.25 in max. (612.75 cm max.)



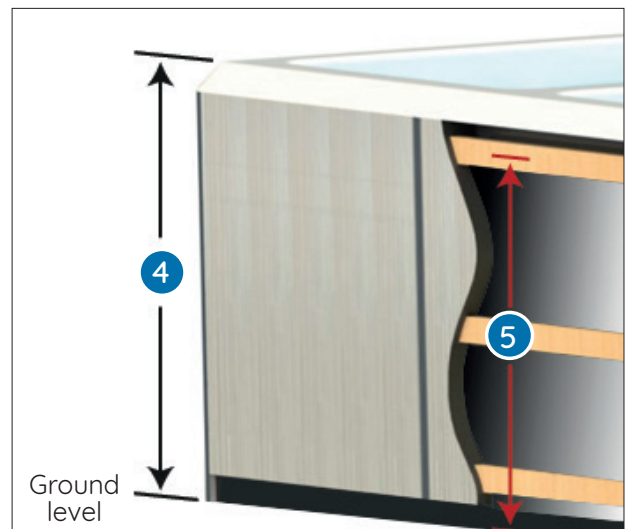
* If the swim spa has two sections, two escape hatches are mandatory.

Depending on your swim spa height and its frame height, one or two types of bracket might be needed.

The Legend cover must be installed **at the same ground level as the swim spa**.

⁴	REQUIRED BRACKETS	<input checked="" type="checkbox"/>
46.5 in to <49.5 in (118 cm to <126 cm)	Dual-sided brackets	
49.5 in to 61 in (126 cm to 155 cm)	None	
>61 in to 62 in (>155 cm to 158 cm)	Dual-sided brackets	

⁵	REQUIRED BRACKETS	<input checked="" type="checkbox"/>
<50 in (127 cm)	None	
≥50 in (127 cm)	Extended brackets	



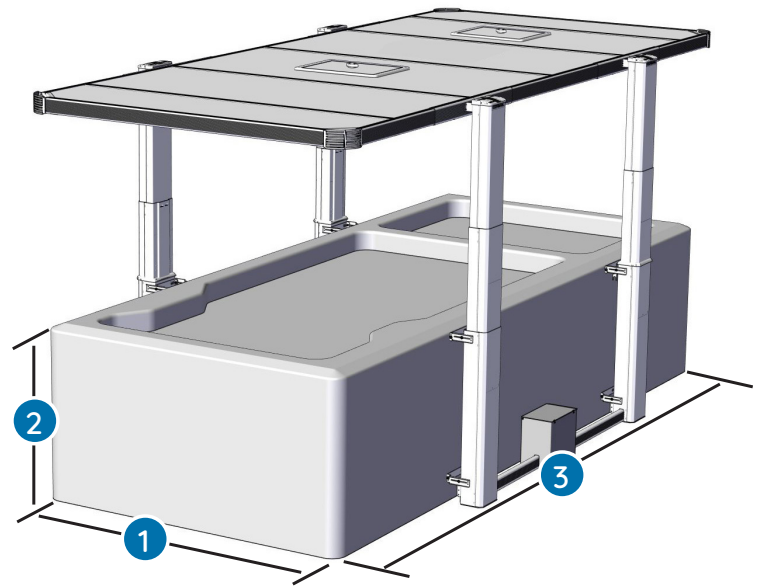
If you are unsure which model to choose, please go to:
covana.com/en/support

SWIM SPA COMPATIBILITY - LEGEND89

Most rectangular swim spas with a **flat surface (no protruding headrests)**. The spa wall on both sides must be flat and parallel.

SWIM SPA MAXIMUM LENGTH ³	LEGEND89 LENGTH	ESCAPE HATCH(ES)*	<input checked="" type="checkbox"/>
147 in (373.4 cm)	12 ft (3.66 m)	1	
183 in (464.8 cm)	15 ft (4.57 m)	1	
207 in (525.8 cm)	17 ft (5.18 m)	1	
207 in (525.8 cm)	17 ft* (5.18 m)	2	
243 in (617.2 cm)	20 ft (6.1 m)	1	
243 in (617.2 cm)	20 ft* (6.1 m)	2	

¹	86 in to 89 in (218 cm to 226 cm)
²	46.5 in to 62 in (118 cm to 158 cm)
³	240 in max. (609 cm max.)



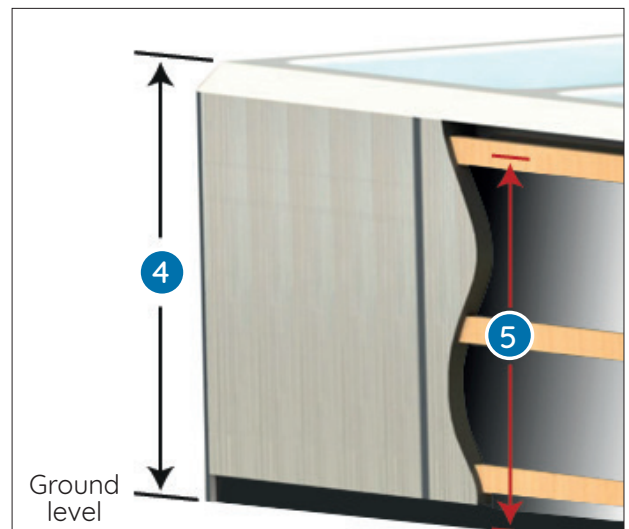
* If the swim spa has two sections, two escape hatches are mandatory.

Depending on your swim spa height and its frame height, one or two types of bracket might be needed.

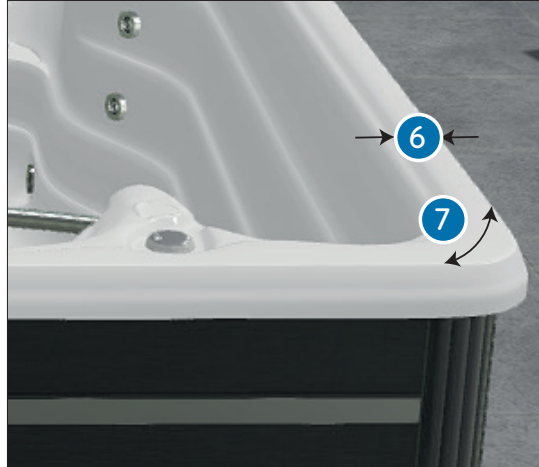
The Legend89 cover must be installed **at the same ground level as the swim spa**.

⁴	REQUIRED BRACKETS	<input checked="" type="checkbox"/>
46.5 in to 48 in (118 cm to 122 cm)	Dual-sided brackets	
48 in to 61 in (122 cm to 155 cm)	None	
61 in to 62 in (155 cm to 158 cm)	Dual-sided brackets	

⁵	REQUIRED BRACKETS	<input checked="" type="checkbox"/>
<50 in (127 cm)	None	
≥50 in (127 cm)	Extended brackets	



SWIM SPA COMPATIBILITY (CONTINUED) – LEGEND & LEGEND89



The seal of the cover will have to be installed on a flat surface of at least 1 in (2.5 cm) wide, on the acrylic of the spa. The minimum turn radius of the seal is 4 in (10 cm). Ensure the seal will be able to go all around the spa while continuously touching the cover.

6	1 in min. (2.5 cm min.)
7	4 in min. (10 cm min.)

Choose the colors that will perfectly match your environment.

COLORS

For a slight extra on the price of the regular white panel, this option allows you to better match the color of your Covana with your environment. A little detail that can make a big difference.

Customize your cover by choosing between the following options*:

(Actual colors may vary from images shown.)



Mocha Latte



Mocha White



Slate Platinum



Slate White

* Legend89 available in Slate/Platinum only.

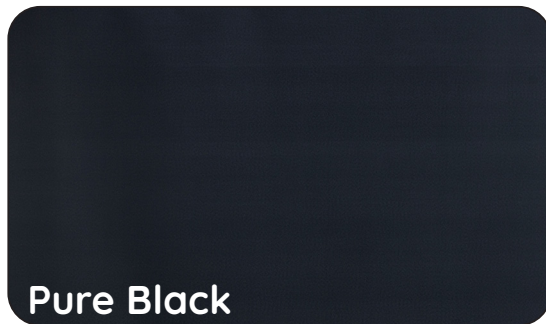
COLORS	<input checked="" type="checkbox"/>
Mocha/Latte	<input type="checkbox"/>
Mocha/White	<input type="checkbox"/>
Slate/Platinum	<input type="checkbox"/>
Slate/White	<input type="checkbox"/>


Discover our selection of shades designed especially for the Covana Legend. Choose from different levels of opacity and enjoy your swim spa in privacy.

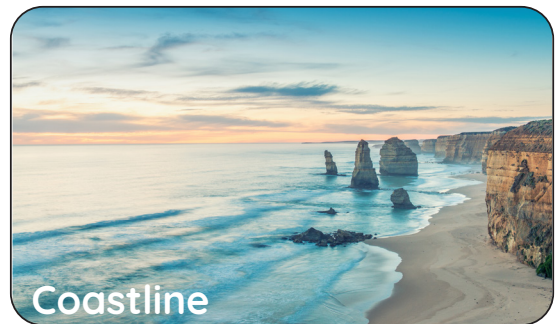
PRIVACY SHADES

BETWEEN POSTS

 Opaque



 Semi-opaque



MODEL	<input checked="" type="checkbox"/>
Pure Black	<input type="checkbox"/>
Coastline	<input type="checkbox"/>

NOTE

Maximum of **two** privacy shades per cover.

The privacy shades can only be installed **between the posts**.

Privacy shades cannot be installed on a cover with optional dual-sided brackets pointing up (spa must be **higher than 49.5 in (126 cm)**).

To ensure the stability and proper functioning of your Covana cover, an adequate foundation is essential.

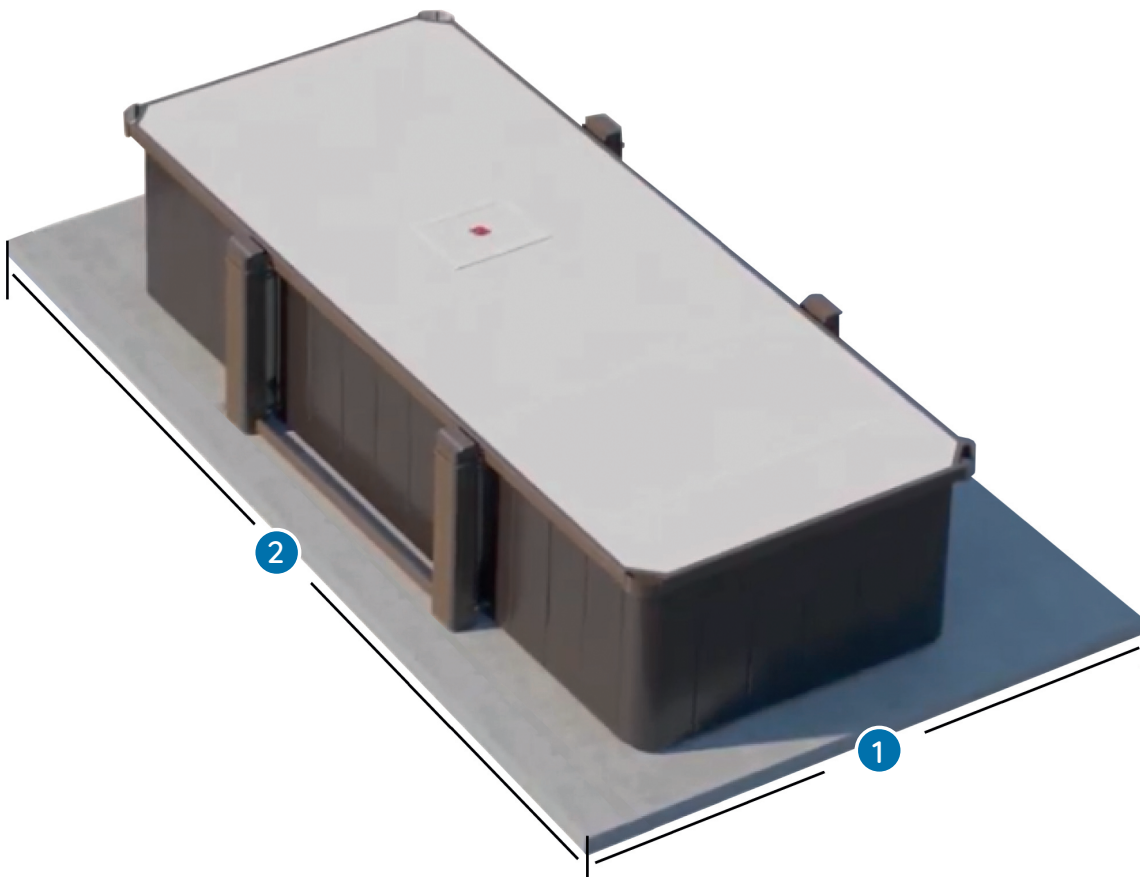
LAYING THE RIGHT FOUNDATION

- A clean, flat and level surface such as a concrete slab is needed.
- Ideally, the cover should be installed on the spa foundation. When not possible, a concrete pier or some cover support dedicated slabs must be provided.
- The four jacks of the cover will have to be properly fastened to the spa frame.
- Allow for at least 24 in (60 cm) of clearance for maintenance on the posts sides, and 18 in (45 cm) on the other sides.
- The foundation must be able to support at least 1,000 lb (454 kg).
- Any water accumulating around the cover will have to be drained.

MINIMUM BASE SIZE

Contact Covana if the foundation is already in place and its dimensions are smaller than those illustrated below.

1	Minimum base size: 117 in (297 cm)
2	Pad length determined by swim spa requirements



For a safe and compliant installation, it is crucial to know the electrical specifications and follow the safety rules.

ELECTRICAL SPECIFICATIONS

- All electrical work should be done by a certified electrician, otherwise the certification and warranty will be void.
- The cover must be installed in accordance with and comply with all applicable local codes and regulations.
- Wires and conduits should be sized according to local codes and regulations.

AC OPERATED MODEL

The cover requires a dedicated single-phase 115 VAC (North America).

NORTH AMERICAN REQUIREMENTS

Voltage	115 V, 60 Hz (1 hot, 1 neutral, 1 ground)
GFCI	15 A single-pole GFCI (not included)
Current draw	Max 3 A

BATTERY OPERATED MODEL

For the North American market, an optional emergency battery is available.

NORTH AMERICAN REQUIREMENTS - OPTIONAL EMERGENCY BATTERY

Voltage	24 VDC System
Wall outlet voltage	115 VAC for charger (indoor use only)
Battery	24 V DC, 12 Ah, AGM sealed lead-acid battery

AUSTRALIAN/EUROPEAN/NEW-ZEALAND REQUIREMENTS

Voltage	24 VDC System
Wall outlet voltage	230 VAC for charger (indoor use only)
Battery	24 V DC, 12 Ah, AGM sealed lead-acid battery

MARKET	MODEL	<input checked="" type="checkbox"/>
Australia/Europe/New Zealand	Battery operated model	<input type="checkbox"/>
North America	AC operated model	<input type="checkbox"/>
	Optional emergency battery	<input type="checkbox"/>

To ensure a safe reception and a smooth installation, careful preparation is key.

PLANNING THE DELIVERY

The Legend cover will be delivered in a wooden crate. Take the time to sketch out a simple map from the delivery point to the installation point for the delivery personnel. You can also disassemble the unit from the crate at the delivery point and move the parts by hand.

1	101 in (257 cm)
2	48 in (122 cm)
3	37 in (94 cm)

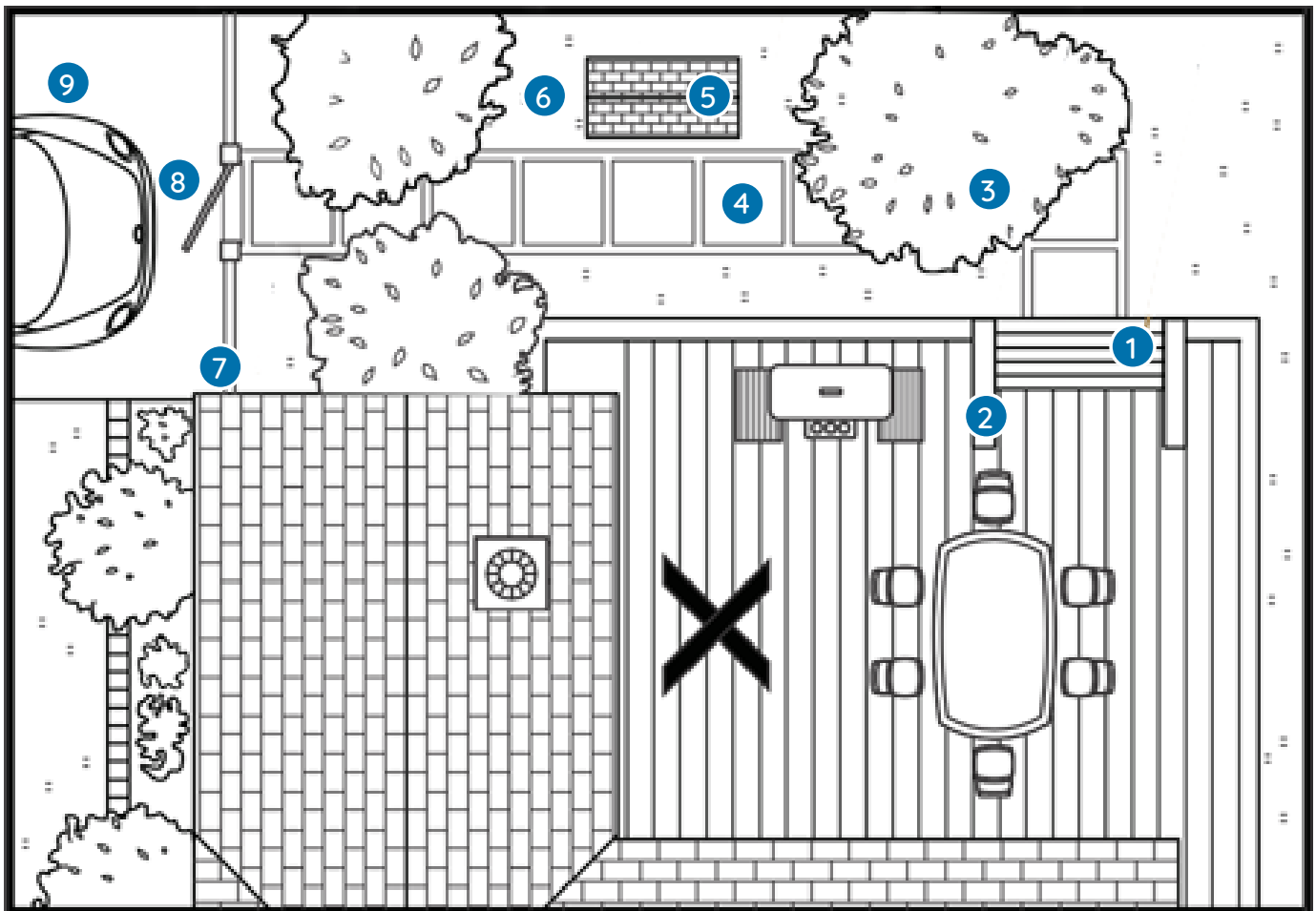


Approximate dimensions for reference only.



USE THIS SIMPLE CHECKLIST TO PLAN THE DELIVERY ROUTE

- 1 Measure the width of stairs and steps to get up and over.
- 2 Are there railings in the way, and how wide apart are they?
- 3 Measure to see if shrubs or trees are an obstacle.
- 4 Ensure sidewalks are free of objects and clutter.
- 5 Check the doghouse or shed to see available clearance.
- 6 Check for uneven ground or slippery slopes.
- 7 Measure for overhanging gutters or downspouts.
- 8 Gate measurement for clearance.
- 9 Recreational vehicles and cars in the driveway?





FOR MORE INFORMATION, AND TO FIND THE NEAREST
COVANA RETAILER VISIT OUR WEBSITE:

covana.com info@covana.com



COVANA a division of Canimex,
committed to excellence since 1969.